

СУДЕБНАЯ ЮРИСДИКЦИЯ, ПРИМЕНЯЕМЫЙ ЗАКОН, И БРЕМЯ ДОКАЗЫВАНИЯ В ГРАЖДАНСКИХ ДЕЛАХ, СВЯЗАННЫХ С НЕПОЗВОЛИТЕЛЬНЫМ РАЗМЕЩЕНИЕМ ИНФОРМАЦИИ В ИНТЕРНЕТЕ: ВОЗМОЖНОСТИ И ПРОБЛЕМЫ

Анджей Станкевич

Адвокат

Контора адвоката Анджея Станкевича

Ул. А.В. Грайчюно 36, 02241 Вильнюс

Тел. +370 682 21 003

Адрес эл. почты: andzej.stankevic@gmail.com

Три проблемы были исследованы в диссертации. Первые две – осуществление судебной юрисдикции и выбор применяемого закона в гражданских делах с иностранным элементом, связанных с неправомерным размещением информации в Интернете – попадают в категорию международного частного права, и третья – бремя доказывания, принадлежит области гражданско-процессуального права. Много фундаментальных, открытых проблем упомянутых областей были исследованы в целях решения задач диссертации. Кроме того, немало общих проблем юриспруденции оказались неразрывно связанными настолько, что возникла необходимость углубляться в них также. Дополнительно, те же самые проблемы проявились в различных упомянутых областях, предопределяя всесторонний анализ. В результате открылась плотная паутина проблем и возможностей.

Общие и специальные методы исследования использовались одновременно, раскрывая все три проблемы, проанализированные в диссертации, таким образом гарантируя законченность исследования и надёжность результатов. Обычные методы исследования в области права, такие как систематический, сравнительный или исторический, объединены с реже используемыми, такими как алгоритмический или формалистический.

Оригинальные результаты следующие: четыре понятия и два предложения; прогноз относительно гибкости правил судебной юрисдикции и выбора закона; дистанционный судебный процесс; 3-х мерная модель теорий применяемого закона; матричная классификация средств доказывания; классификация проблем доказывания с четырьмя категориями; выводы.

VILNIUS UNIVERSITY

Andžej Stankevič

JUDICIAL JURISDICTION, APPLICABLE LAW, AND BURDEN OF PROOF IN
CIVIL CASES RELATED TO UNALLOWABLE POSTING OF INFORMATION ON
THE INTERNET: OPPORTUNITIES AND PROBLEMS

Summary of doctoral dissertation
Social sciences, law (01 S)

Vilnius, 2012

Dissertation was prepared externally.

Scientific consultant:

Assoc. Prof. Dr. Rimantas Simaitis (Vilnius University, social sciences, law – 01 S)

Dissertation is defended at the Law Science Council of Vilnius University:

Chairman:

Prof. Habil. Dr. Vytautas Nekrošius (Vilnius University, social sciences, law – 01 S)

Members:

Prof. Dr. Vytautas Mizaras (Vilnius University, social sciences, law – 01 S)

Assoc. Prof. Dr. Rimantas Simaitis (Vilnius University, social sciences, law – 01 S)

Prof. Dr. Vigintas Višinskis (Mykolas Romeris University, social sciences, law – 01 S)

Assoc. Prof. Dr. Egidija Stauskienė (Mykolas Romeris University, social sciences, law – 01 S)

Opponents:

Prof. Dr. Edita Gruodytė (Vytautas Magnus University, social sciences, law – 01 S)

Assoc. Prof. Dr. Darius Štivilis (Mykolas Romeris University, social sciences, law – 01 S)

Dissertation will be defended in Lithuanian at the public session of the Law Science Council, 27 February 2012, 2 p.m., at 403 auditorium.

Address: Saulėtekio al. 9, LT-10222, Vilnius, Lithuania

Summary of the dissertation was distributed on 23 January, 2012.

The dissertation can be reviewed at the library of Vilnius University.

VILNIAUS UNIVERSITETAS

Andžej Stankevič

TEISMINGUMAS, TAIKYTINA TEISĖ IR ĮRODINĖJIMAS CIVILINĖSE BYLOSE
DĖL NELEISTINO INFORMACIJOS SKELBIMO INTERNETE: GALIMYBĖS IR
PROBLEMOS

Daktaro disertacijos santrauka
Socialiniai mokslai, teisė (01 S)

Vilnius, 2012

Disertacija ginama eksternu.

Mokslinis konsultantas:

Doc. dr. Rimantas Simaitis (Vilniaus universitetas, socialiniai mokslai, teisė – 01 S)

Disertacija ginama Vilniaus universiteto Teisės mokslo krypties taryboje:

Pirmininkas:

Prof. habil. dr. Vytautas Nekrošius (Vilniaus universitetas, socialiniai mokslai, teisė – 01 S)

Nariai:

prof. dr. Vytautas Mizaras (Vilniaus universitetas, socialiniai mokslai, teisė – 01 S)

doc. dr. Rimantas Simaitis (Vilniaus universitetas, socialiniai mokslai, teisė – 01 S)

prof. dr. Vigintas Višinskis (Mykolo Romerio universitetas, socialiniai mokslai, teisė – 01 S)

doc. dr. Egidija Stauskienė (Mykolo Romerio universitetas, socialiniai mokslai, teisė – 01 S)

Oponentai:

prof. dr. Edita Gruodytė (Vytauto Didžiojo universitetas, socialiniai mokslai, teisė – 01 S)

doc. dr. Darius Štitalis (Mykolo Romerio universitetas, socialiniai mokslai, teisė – 01 S)

Disertacija bus ginama viešame Teisės mokslo krypties tarybos posėdyje 2012 m. vasario 27 dieną, 14 valandą Vilniaus universiteto Teisės fakultete, 403 auditorijoje.

Adresas: Saulėtekio al. 9, LT-10222, Vilnius, Lietuva

Disertacijos santrauka išsiuntinėta 2012 m. sausio 23 d.

Disertacija galima peržiūrėti Vilniaus universiteto bibliotekoje.

Table of Contents

Object.....	6
Purpose and Tasks	8
Relevance, Novelty and Scientific significance	10
Statements to be defended	12
Methodology.....	13
Sources.....	15
Main results and conclusions.....	17
Author's academic publications related to the dissertation	28
Author's personal details	29
Reziùmè	30
Appendixes	47

Object

Many theoretical and practical problems press litigants and courts in civil cases related to unallowable posting of information on the Internet. The issues differ broadly by their nature, complexity and novelty. Three problems have been explored in the dissertation. The first two which fall into the category of International Private Law are the assertion of *judicial jurisdiction* and *choice of applicable law* in civil cases with a foreign element, which are related to unallowable posting on the Internet, and third one is the *burden of proof* which falls into the scope of Civil Procedure Law. Several reasons determine the choice. First, all the problems mentioned above trigger many discussions, and that indicates the relevance of the issues. Second, decisions regarding the competence of the court, the choice of law and the discovery of evidence are the priority in litigation, thus it is reasonable to start the investigation here. Third, the aforesaid problems are common to all cases in question; they should be solved in each trial. The legal problems, related to the Internet, often arise because of the cross-border nature of Internet activity and frequently have a foreign element. A test is needed in all cases to decide whether or not International Private Law issues are involved. By contrast, many narrow problems arise only in some specific relations. Fourth, the wrong decisions on court competence, choice of law and the burden of proof would lead to dramatic negative consequences for the litigants and such outcomes could never be reasonably foreseen. Other nations might reject the recognition and enforcement of foreign judgment based on this.

The dissertation is limited only to the problems and opportunities of delictual civil liability cases for unallowable posting on the Internet. In other words, the object of this analysis is a situation when the litigants are not bound by a contract when a breach of contractual obligations would mean unallowable posting of information. The limitation is useful for several reasons. First, information can certainly be unallowably posted even when a wrongdoer has a contractual duty to restrain himself from doing so. However, the analysis of such relations and, respectively, liability issues would not depend on the manner of unallowable posting. The difficulties are common; they have few, if any, peculiarities regarding the activities on the Internet. Second, the terms “unallowable information” and “unallowable posting” are being used traditionally regarding the torts, especially defamation, privacy violation and other infringements when there are no

contracts among a spreader and an injured party. Third, the problems of tort liability are more relevant because of global nature of Internet infractions, and the evolution of Information Technology and other factors. Therefore, the dissertation does not cover the events when unallowable posting occurred within conditions of breaching contractual obligations. This limitation is especially significant in the field of choice of law, because the latter is regulated completely in different ways depending on whether an injury had been done fulfilling contractual obligations improperly, or in the absence of a contract. In The European Union the applicable law is regulated by Regulation (EC) No 593/2008 of the European Parliament and of the Council of 17 June 2008 on the law applicable to contractual obligations (Rome I), and by Regulation (EC) No 864/2007 of the European Parliament and of the Council of 11 July 2007 on the law applicable to non-contractual obligations (Rome II), thus such relations are regulated differently for contractual and non-contractual obligations.

Proposals can be found in legal literature to analyze judicial jurisdiction, applicable law, and the burden of proof in civil cases related to the Internet strictly in the context of the so-called Internet law. Many of them were introduced in the last decade of the 20th century and are still being applied. This is difficult to accept. It should be agreed that it is reasonable to compare Internet Law to the Law of the Horse¹. Consequently, all three problems have been explored in the context of International Private Law and Civil Procedure Law traditionally, or, as critics would say, in an old-fashioned manner. Nevertheless, a blind denial of any specific issue would be imprudent, thus balance is being sought, in an attempt to reject all the extremes.

Only unallowable information posting on the Internet sites is analyzed in the dissertation, including Internet conferences, chat rooms, forums, journals, blogs, social networks and other Internet sources. Thus, only the so-called passive distribution is focused and direct sending to specific addressees is out of interest. The latter is not involved here because of the lack of peculiarities and relevance in the context of the dissertation.

¹ „Lots of cases deal with sales of horses; others deal with people kicked by horses; still more deal with the licensing and racing of horses, or with the care veterinarians give to horses, or with prizes at horse shows. Any effort to collect these strands into a course on "The Law of the Horse" is doomed to be shallow and to miss unifying principles“. Easterbrook F. Cyberspace and the Law of the Horse. University of Chicago Legal Forum, 207, 1996, p. 207.

Problems and opportunities are the opposite aspects of the same phenomenon. The problem is an obstacle or impediment which may pose a challenge in solving the theoretical and practical task. The opportunity, however, is a chance to do something that is possible. Theoretical and practical tasks in the choices of the court and the law, as well as proving facts in civil cases related to unallowable posting on the Internet are examined in the dissertation, and the chances and possibilities of successful solutions have been suggested.

In summary, the problems of judicial jurisdiction, applicable law, and the burden of proof in non-contractual civil liability cases with a foreign element, which are related to unallowable posting of information on the Internet, are investigated in the dissertation, and solutions to the above mentioned problems are proposed.

Purpose and Tasks

Judicial Jurisdiction. There are no universal rules of distribution of the cases among states, which are recognized by all nations. A magic formula does not exist. The decision of a court to apply its jurisdiction to a court case related to a foreign state may be unjustified from the point of view of latter country because it may adjudicate the case also, and apply its own law or foreign law. The interests of other nations may be violated in any case. Thus, the domestically legal and correct decision of a court to hear the case does not mean that some other forums do not have the same right. This fundamental fact restrains one from the utopian intention to propose the rules which solve the competence conflict. The pragmatic question is taken into consideration. It is a relief of decision for the domestic court on its competence in non-contractual civil liability cases with a foreign element, which are related to unallowable posting on the Internet. Some factors and solutions must be found. On the other hand, the analysis does not avoid proposing essential and fundamental solutions, though they are not possible within one single country by the efforts of one single legislator.

Applicable Law. Different countries regulate the very same situation differently. As a result the conflict of laws or collision of laws (Lat. *collisio*) takes place. Some criteria, which indicate the applicable law, are being used for overcoming the conflict. However, these rules do not often provide an unambiguous outcome, and should be

explained in each case. It is commonly recognized as a “mess”² in the conflict of laws, a “dismal swamp”³, as Prosser called it. The Internet is considered a highway⁴, and the swamp an annoying obstacle, because solid grounding is essential for any autobahn. The classification of fundamental alternatives choosing the applicable law will be proposed in the dissertation as well as the facility of choosing the law in non-contractual civil liability cases with a foreign element, which are related to unallowable posting on the Internet. The relation between the decisions on the judicial jurisdiction and applicable law is also under analysis.

Evidence and the burden of proof. The issue of proof is common in all cases related to the Internet, because the litigants and courts meet so-called electronic or digital evidence. As in jurisdiction and in the choice of law, the law can propose solutions without a revolutionary reform. The dissertational analysis is seeking to find the proper place for electronic evidence in a modern conception of evidence, and to create the classification of relevant problems in civil cases related to unallowable posting of information on the Internet.

The essential tasks of dissertation are the reasonable application of the valid legal norms of the statutes and earlier decisions of the courts and also the consistent and sober interpretation of existing law, contrary to a revolutionary reform. The improving of the legal system should be well-considered. Revolution is not needed today, when no one single state has solved all the problems. Any upheaval would be premature. Instead, the dissertation proposes some statute changes.

The tasks of the dissertation are as follows:

1. To tie the locations of the legal categories such as injury, origin of obligation, execution of obligation, tortious act, other tortious circumstances, damages, with Internet categories like uploading (sending), downloading (receiving), transit and the hosting of information;

² Roosevelt K. The Myth of Choice of Law: Rethinking conflicts. Michigan Law Review Association, 2448, 1999, Nr. 97, p. 2449. WestLaw, <http://www.westlaw.com>, Vilnius [2009-11-25].

³ Prosser W. Interstate Publication. Michigan Law Review, 959, 1953, Nr. 51, p. 971.

⁴ Blavin J. Gore, Gibson, and Goldsmith: the Evolution of Internet Metaphors in Law and Commentary. Harvard Journal of Law and Technology, 265, 2002, Nr. 16, p. 268. WestLaw, <http://www.westlaw.com>, Vilnius [2009-12-03].

2. To create a concept of practical execution of the principles of judicial jurisdiction, which are stated in the statutes, in civil cases related to unallowable posting of information on the Internet;
3. To find out the problem of judicial jurisdiction, which is common to all civil cases related to unallowable posting of information on the Internet;
4. To propose the means for a facility in litigation for the foreign litigants;
5. To create a concept of choosing practically the applicable law in civil cases related to unallowable posting of information on the Internet;
6. To create a model of the theories of choice of law to be used for the classification, interpretation, development and practical handling;
7. To reveal a relation between judicial jurisdiction and choice of law in civil cases related to unallowable posting of information on the Internet;
8. To create a model of the modern evidence and to reveal the place of the so-called electronic evidence in it;
9. To identify the most common problems of proof in civil cases related to unallowable posting of information on the Internet, and to propose solutions;
10. To create a concept of discovering evidence relevant in civil cases related to unallowable posting of information on the Internet.

Relevance, Novelty and Scientific significance

The original and new proposals of the dissertation are as follows:

- Four concepts – a relationship between the Internet and some geographical places, the decisions on the judicial jurisdiction and applicable law, and, finally, the discovery of Internet evidence and usage of it in civil cases related to unallowable posting of information on the Internet;
- Two proposals – the common solution to the problems of judicial jurisdiction and applicable law, and about changing the conceptions of material (tangible, physical) evidence and written (documentary) evidence;
- A forecast regarding the legislator's intention to keep the rules of the judicial jurisdiction and choice of law flexible;
- A remote court process with foreign litigants;
- 3-D model of theories of applicable law;

- Matrix classification of the evidence;
- Four-prong classification of the problems of proving;
- Remarks, explanations, conclusions.

The development of information technologies is very rapid. The breaking point was the appearance of the Transnational Informational Networks. The latter is considered the fifth information revolution after the appearances of writing, typography, electricity, and computing. For effective communication the location matters less, and, likely, most information will be available in digital format worldwide soon. Unfortunately, use of the Internet is often not legal. The courts encountered these problems before the legislator did, and primarily in the United States, where the evolution of the information network originally began. Despite the fact that issues of non-contractual civil liability in civil cases related to unallowable posting of information on the Internet are very significant, both theoretically and practically, the number of scientific papers on the topic is scarce in Lithuania.

The concepts, models and other solutions, proposed in the dissertation on the one hand, are quite clear and attention grabbing for practical use, on the other hand, they are quite thoughtful and broad enough for theoretical discussions, no matter, whether agreement with the theses and conclusions exists or not. Therefore, the results of the dissertation, hopefully, may be useful to the bodies of the International Private Law and Civil Procedure Law for further development of the decisions of judicial jurisdiction, conflict of law, and theories of evidence, as well as in court practice, adjudicating civil cases related to unallowable posting of information on the Internet. The results may be useful to a legislator amending some legal norms of evidence, and adding possibilities of remote court proceedings.

There is no doubt that some statements of the dissertation are unacceptable to some potential opponents. However the dissertation itself may facilitate discussions and disclose fundamental phenomena and processes, whereas the context of the Internet is a sort of a litmus test, if you will, and a perfect medium for revealing of contradictions in all related fields.

Statements to be defended

First, jurisprudence is able to suggest the rules of judicial jurisdiction and applicable law which ensure predictability of the courts decisions. However these scientific proposals for civil cases related to unallowable posting of information on the Internet, in absence of a global consensus of states, are irrelevant to the legislator.

Second, in determining the locations of the origin of obligation (Lith. *prievolės atsiradimas*) and execution of obligation in the context of judicial jurisdiction as well as a location of injury in the context of applicable law, in civil cases with a foreign element, which are related to unallowable posting of information on the Internet, the sending, hosting, announcing and receiving points of information are relevant in the technological sense.

Third, the presence of a defendant in state, a domicile, possession of assets or property rights, the agreement of litigants, are general and presupposed criteria in choosing the court in all cases, irrespectively of the nature of a dispute. When an object of a dispute is a physical item in a forum, or if an obligation arises or if it should be executed there, in civil cases related to unallowable posting of information on the Internet, the of a) hosting, b) announcing and c) receiving points of information do matter, and this is why such points should be linked to the principles of judicial jurisdiction set by the law.

Fourth, the burden of litigation on foreign litigants may be diminished significantly by an institution of remote court proceedings⁵. The remote trial may solve virtually all legal problems and partly social problems of international judicial jurisdiction, though political, psychological, economic and other issues remain unsolved. The problem of international judicial jurisdiction will continue to persist until a solution is found in the above mentioned fields. At present no solution has been found.

Fifth, there are the properties common to all theories of choice of law irrespective of their variety. Such properties may be found and used for classification and perfection.

Sixth, choosing the applicable law in civil cases related to unallowable posting of information on the Internet, the of a) sending, b) hosting, c) announcing and d) receiving

⁵ This institution had been set in Code of Civil Procedure of Republic of Lithuania by last amendment in October, 2011, before the dissertation is defended. Valstybės žinios, 2011, Nr. 85-4126.

points of information do matter and this is why such points should be linked to the principles of choice of law set by the law.

Seventh, the so-called digital evidence should not be distinguished as a *sui generis* “means of proving” (Lith. *įrodinėjimo priemonė*), whereas there are no demands or grounds for it, and it would be inconsistent with the present system of means of proving. The problems of digital evidence differ in some respect, however they can be solved by means of proving, which are currently set in Lithuanian civil procedure, especially by “the conclusion of an expert” (Lith. *eksperto išvada*) and the “protocol of view”⁶ (Lith. *apžiūros protokolas*).

Eighth, the majority of the problems in civil cases related to unallowable posting of information on the Internet may be categorized into the four large classes. No one of them is typical exclusively to the cases related to the Internet.

Methodology

The dissertation has required several methods of research, such as systematic, comparative, dogmatic, linguistic, algorithmic, modeling, formalistic, logical, historical, documental, statistical, as well as methods of abstraction, interception and some other.

Usage of the methods of *interception* and *systemic* research come by analysis of the Civil Law, International Private Law, Law of Civil Procedure, Public International Law, Constitutional Law, Criminal Law, Law of Criminal Procedure, and other provinces of the law and institutions, as well as analysis of other sciences, identifying some consistent patterns, achievements, and interrelations, also exploring and interpreting them, considering them as aggregation. The institution of judicial jurisdiction is well-known and being investigated from different angles in other fields of law, including public International Law and Law of Criminal Procedure. The latter, and Law of Administrative Procedure study the institution of evidence, and propose some useful insights. The torts in civil cases related to unallowable posting of information on the Internet, are closely linked to constitutional and criminal law. The classifications

⁶ Evidence is considered generally in English as something (including testimony, documents and tangible objects) that tends to prove or disprove the existence of an alleged fact (Garner B. (et al). Black’s Law Dictionary. Ninth edition. West, 2009, p. 635). The Lithuanian analogue for evidence (Lith. *įrodymas*) also tends to prove or disprove the existence of a fact but for the Lithuanian lawyer evidence is primarily information, while testimony, documents, tangible objects and other things which contain evidence, are a means of proving (Lith. *įrodinėjimo priemonė*). Evidence and means of proving are two strictly differentiated concepts.

could be seen as a product of systematization and analysis; they ensure the proper use of terms and definitions, and remove any ambiguity from the scientific language.

A significant place should be vested in the *comparative* research method. The attitudes of foreign states and the unions of states, first of all, the United States and the European Union have been considered, in exploring all three problems: judicial jurisdiction, choice of law and the burden of proof. Regulation of the mentioned fields is far from perfect in all countries. Court decisions are inconsistent and the possibilities of solution within any state are limited. Therefore, the doctrinal theories have played a leading role in exploring these problems, though court decisions, statutes and official opinions have been studied as well.

The necessity of the *dogmatic* method is determined considering sovereignty of states and the absence of grounds for ignoring important information.

The *linguistic* method is used for searching and for thoroughly revealing the essential concepts of the dissertation, including jurisdiction and evidence, their meaning and significance. The general and specific meanings of these concepts, were first looked up in various dictionaries of different languages, and then thoroughly evaluated.

Formalistic, algorithmic and *modeling* methods are useful in determining processes and phenomena accurately and clearly, in visualizing research and conclusions and in creating concepts and classifications. The theories of applicable law and evidence provide lots of room for using the abovementioned methods. The methods of induction and deduction were employed consistently in conducting the research and in drawing the conclusions. In an attempt to avoid logical fallacy, specifically a hasty generalization, the inductive conclusions were drawn on number of samples only.

The *analysis* and *synthesis* may be conceived as independent methods of research. The institutions of the different branches of law, as well as phenomena and factors, had been separated and consolidated again on different levels. For that purpose the method of *abstraction* is used.

The method of *document* research was useful in studying mainly the preparatory works of international conferences.

The *sociological* and *statistical* methods were indispensable in scrutinizing the usage of some concepts, such as digital or electronic evidence and unallowable posting, which can be found on the Internet and in scientific papers. Statistical methods enable

better evaluation of the outcomes. The same methods are used to investigate the sources of scholars, who have done research on the same topics, just as the dissertation was done in searching for the most influential works of scholars, hence additionally ensuring completeness of the research.

Despite the fact that the history of the Internet is not very long, the *historical* method is significant, because evolution of the theories, practice and attitudes is rapid indeed. Exploring the general concepts of judicial jurisdiction, choice of law and evidence, on which the discussions were continued for hundreds of years, the historical method is particularly important.

In preparing the dissertation and evaluating the theories, a method of *approximation* has also been used. Once completed, the dissertation was re-written again, clarifying and eliminating possible contradictions.

The general and special methods discussed are used simultaneously, enhancing the completeness, ultimately revealing all three problems analyzed in the dissertation, thus ensuring the reliability of the outcomes. The usual legal research methods, like systematic, comparative or historical, are combined with the rarer algorithmic or formalistic methods, for the purpose of correcting and testing the solutions, as far as possible in jurisprudence. Special software was created and used for the research.

Sources

The statutes and court precedents of the European Union and the United States are used, as well as the law of France, Great Britain, Lithuania, Russia, China, Serbia, Czech Republic, Poland, Germany and other countries.

However, the main source of analysis and inspiration was the works of more than four hundred scholars and thinkers, as follows: Ackerman C., Adler A., Akehurst M., Alexander L., Allen R., Amadei X., Andrieux G., Antonelli A., Arasimavičius M., Aristotle, Armstrong C., August R., Austin J., Bachand F., Bales R., Balin R., Ballon I., Ban K., Baradaran-Robison S., Barak A., Barendt E., Bari J., Barlow J., Baron J., Bassett D., Baxter W., Beale J., Beall C., Beltran J., Benoliel D., Bentham J., Berge J., Berman P., Bertelsen K., Bick J., Bigos O., Byer D., Black M., Blakesley C., Blavin J., Blinka D., Blom J., Boyd T., Boyle J., Bolin R., Bone S., Boone B., Boos E., Branscomb A., Brennan M., Burbank S., Burk D., Burke F., Burmeister K., Burns J., Burnstein M.,

Bužinskas G., Campbell J., Campbell R., Cantrell M., Cavers D., Cavico F., Chamberlayne C., Chan Kok Yew G., Chapman J., Cheah C., Cheatham E., Chen C., Chik W., Chilson J., Chung C., Citron D., Civilka M., Clermont C., Clermont K., Coleman J., Constable M., Cooper B., Cooper G., Creech R., Crist M., Cuijpers C., Curreri S., Currie B., Damaska M., Daughdrill B., Davis K., Davis P., Dawson C., De SarioDeak F., Debussere F., Del NinnoDenaro J., DeVries V., Dinwoodie G., Dodge W., Dolinger J., Dorf M., Dreyfuss R., Driukas A., Easterbrook F., Edwards L., Eechoud Van M., Eko L., Ekstrand V., Eltgroth D., Eng K., Eric C., Eskridge W., Ewald W., Exon S., Fagan M., Falcon D., Faucher J., Fentiman R., Fifer S., Flaming T., Fleishman S., Fliegel J., Floyd ., Frazer B., Frickey P., Friedman R., Frohlich A., Fromkin M., Galves F., Garner B., Gaumer C., Geist M., Gerlach T., Gibson W., Gilliéron P., Gleisner W., Goda G., Golanski A., Goldring C., Goldsmith J., Goode S., Gottfried J., Gray T., Green J., Green S., Greer J., Grigienė J., Grimmelmann J., Gupta S., Gutteridge H., Haines A., Halter M., Hamblin A., Handman L., Hardy T., Hare R., Hart H., Heaven C., Heinrich A., Hellstadius A., Henek C., Hestermeyer H., Himmelreich C., Himmelrich N., Hyland A., Holland T., Horn G., Horton A., Horwitz M., Howe S., Huebner R., Hume D., Young R., Jaglom A., Jansen S., Jarašiūnas E., Johnson D., Joseph G., Juenger F., Kalow G., Karmel R., Karniel Y., Kazlauskas M., Keele L., Keinys S., Kelali P., Keller B., Keller M., Kelsen H., Kennedy D., Kessedjian C., Kiely T., King J., Kirby M., Kirkpatrick D., Kiškis M., Klingbaum L., Knop K., Knop P., Kocourek A., Koenig T., Kohl U., Kojima T., Kotuby C., Kötz H., Kovar J., Kramer L., Kroll V., Krotoszynski R., Kuconis P., Kumayama K., Kunke C., Kur A., Lamanaskas T., Lansing P., Laprès D., Laužikas E., Lawrence L., Lawson G., Lee T., Lehman A., Leitstein T., Lessig L., Lewis E., Lewis G., Litschewski-Paulson B., Lorenger M., Lorenzen E., Losee R., Lubic R., MacKay D., Macpherson L., Magee R., Maine J., Malanczuk P., Maly H., Maloney M., Manheim K., Mann R., Manolopoulos A., Mansfield A., Marcus R., Maxeiner J., McConnaughay P., McCormick B., Mcgregor H., McKenzie J., McMahan M., McMunigal K., Mefford A., Mehren Von A., Meier-Ewert W., Meyer C., Meškauskaitė L., Michaels R., Mika K., Mikelėnas V., Miller S., Miner R., Mizaras V., Mnookin R., Mody S., Morris J., Moses F., Mosteller R., Mtima L., Murphy D., Muth T., Neikirk K., Nekrošius V., Nowell-Smith P., Nussbaum A., Nussbaum M., O'Hara E., Okoniewski E., O'Loughlin E., Orians S., Parrish A., Parry Z., Paulson S., Pavilionis V., Perritt H.,

Petkova S., Petrauskas R., Pham K., Pielemeier J., Pirri L., Poincare H., Ponte L., Popper K., Post D., Prosser W., Puurunen T., Randall S., Redish M., Reed A., Reed T., Reese W., Reid A., Reid E., Reidenberg J., Reimann M., Reynolds B., Reynolds W., Ribstein L., Rice D., Richards D., Richards K., Riles A., Robbins B., Roberts B., Rollo R., Roosevelt K., Rose F., Rosenthal S., Rotomskis I., Rudlin A., Ruhl G., Rustad M., Sachs M., Sachs S., Salbu S., Salmond J., Salvado S., Samuel M., Sanchez V., Sanford B., Sarabia A., Sauliūnas D., Sawyer A., Schafer D., Schaffner J., Schauer F., Schiller T., Schinkel M., Schmidt R., Schroth P., Schultz T., Schulze J., Sedler R., Seneca L., Shah M., Sheehan K., Shennon C., Siddiqi A., Silberman L., Sivalingam S., Symeonides S., Slane A., Smethurst J., Smith G., Sobel D., Sommer J., Spahn E., Spencer B., Spitzer D., Stafford N., Standage T., Steele D., Stein A., Stone P., Stonier T., Stravitz H., Strickland C., Susser S., Svantesson D., Sveiby K., Swire P., Štītīlis D., Taylor G., Thayer J., Thatch D., Thornburg E., Tison E., Traynor M., Underwood R., Valančius V., Vick D., Wahab M., Waldman B., Wallace P., Walton D., Warshaw A., Watt H., Webb L., Weinberg A., Weissenberger G., Wellman F., Werley B., Wert Van S., Wiegand S., Wilde O., Wilske S., Wismonsky H., Wittgenstein L., Wyant M., Wood L., Wraspir K., Wright von GWu T., Xalabarder R., Zaphiriou G., Zembek R., Zeviar-Geese G., Zhang N., Zwier P., Аверина Ю., Ануфриева Л. П., Бабкин С. А., Белкин А. Р., Богуславский М. М., Вилкут М. А., Гетьман-Павлова И. В., Дмитриева Г. К., Жогин Н. В., Ивин А. А., Ивлев А., Ивлев Ю. В., Иногамова-Хегай Л. В., Калпин А. И., Калятин В. О., Коваленко А. Г., Копылов В. А., Лидовский В. В., Малейна М. Н., Мигунова А. И., Микиртумова И. Б., Мохов А. А., Наумов В. Б., Никифоров А. Л., Осокина Г. Л., Рассолов И. М., Сабитов Р. А., Слинько С. В., Смушкин А. Б., Стратонович Р. Л., Суркова Т. В., Суханов Е. А., Тертышник В. М., Филиппов П. М., and Черникова О. С..

Main results and conclusions

It became clear immediately after the research had been started, that many general, fundamental and open-ended issues of judicial jurisdiction, applicable law and the burden of proof should be investigated in seeking to solve the tasks of the dissertation. Otherwise, the entire work would be superficial. Moreover, plenty of general problems in jurisprudence are integrally related and make it necessary to go deep

into them as well. Additionally, the same problems appear in a different context in the mentioned fields, determining the comprehensive analysis.

As a result, a dense web of problems and opportunities emerged out of the blue. Undoubtedly, conclusions depend on opinions regarding each investigated issue. The choices between flexibility and certainty, evolution and revolution, and dozens of other choices must be made. There exist plenty of dichotomies between whose extremes one must to choose, or a balance between them should be achieved. In doing so, hundreds of opinions given by legislators, courts and scholars were analyzed and the pros and cons were weighed. The main problems and opportunities are described in the conceptual algorithmic diagram.

The conclusions were arrived by analyzing the sources and additionally considering the results. The conclusions are as follows:

1. There is no inherent relation between the Internet and positive law, but it is established by legislators in statutes, and by courts in their judgments. Therefore, the traditional principles may be and should be applied in solving the problems of judicial jurisdiction, choice of law and the burden of proof in civil cases related to unallowable posting of information on the Internet. The statutes and precedents should be improved gradually, harmonizing positive law with the evolution of society. The latter rule is relevant in context of the Internet just as in regulating any other technologies or communication means.

2. In determining the place of injury (Lat. *locus delicti*) in civil cases related to unallowable posting of information on the Internet, the following matter in a legal and technological sense: a) the location of uploading (sending, transmitting) of information, which should be conceived as the place where the act was committed (Lat. *locus actus*), b) the location of downloading (receiving) of information, which should be conceived as the place where the damage occurred (Lat. *locus damni*), c) the location of the host server, which may be conceived as the place where other circumstances occurred.

3. A universally recognized difference of attitudes between the US and the EU on judicial jurisdiction and choice of law in civil cases related to unallowable posting of information on the Internet that is a supposed preference of flexibility versus legal certainty, does not exist actually. In the field under investigation neither flexibility is more limited in the European Union than in the United States, nor is predictability easier

in the EU, than in the US. Predictability of the choices of court and law in civil cases related to unallowable posting of information on the Internet may be achieved either by significantly limiting the competence of the courts, or by enlarging it, but principally it may be done by determining the definite and rigid criteria of distribution of the cases among the fora. Neither one of these solutions is acceptable to legislators, because the unilateral application of them would offend the interests of the country in absence of a consensus among states. Therefore almost unlimited discretion of courts, and as a consequence, the absence of predictability of their decisions is the outcome of the voluntary choice of legislators. Jurisprudence is able to suggest the rules which ensure predictability of the decisions regarding judicial jurisdiction and applicable law. However, such proposals are not relevant in civil cases related to unallowable posting of information on the Internet and are doomed to be ignored in the foreseeable future.

4. Reviewing numerous alternative suggestions on judicial jurisdiction in civil cases related to unallowable posting of information on the Internet few main ideas added by scholars to the traditional principals may be detected. Ideas such as the interactivity of the Internet sites, their business orientation, the actual effects, targeting, actual knowledge regarding a connection with forum, utilization of technology for identifying visitors' geographic position and the existence of the jurisdiction clauses are proposed. All the criteria mentioned, on the one hand, are insufficient in choosing the court, and on the other hand, are simply a reflection of certain traditional principles. The problem of judicial jurisdiction in civil cases related to unallowable posting of information on the Internet should be solved by applying traditional principles, in view of ongoing social and technological transformations, instead of creating special rules supposedly adapted to the Internet, all of which have been unsuccessful so far. Applying the traditional principles of ascertaining the jurisdiction to adjudicate does not deny, or even require the usage of modern technical means in finding out the intentions, fairness, goals and geographic position of the parties, as well as clauses on jurisdiction.

5. The localization of the actions of a defendant and their effects could facilitate the application of traditional principles of judicial jurisdiction. In localizing a defendant's behavior in civil cases related to unallowable posting of information on the Internet attention should be paid, inter alia, first, to a relation between an offender's action and its

effects, and second, the places of sending, hosting, announcing and the availability of information.

6. In ascertaining judicial jurisdiction two groups of circumstances matter. First, the presence of the defendant in the forum, their domicile or residing place, their possession of assets and (or) property rights and their consent. The abovementioned criteria should be conceived as primary and are general for all civil cases, irrespective of the character of the dispute. In deciding on such criteria, civil cases related to unallowable posting of information on the Internet have no peculiarities. Second, when the object of the dispute is a tangible object in the forum, the obligation of the dispute is initiated or should be executed there. These criteria correspond to the availability of information and presence of host server.

7. Despite the importance of proper assertion of judicial jurisdiction, the hearing of the numerous disputes between residents of different countries, the technologies of video and audio transmitting and person identification, which have created the prerequisites for a remote court proceedings, may and should play significant role in the court. Allowing the remote participation in a trial, using the technologies of video and audio transmission, the negative sequences of litigation for foreign parties will be decreased.

8. The problem of choice of law is underestimated in foreign court precedents in civil cases related to unallowable posting of information on the Internet. The question of choice of law has either been decided integrally in ascertaining judicial jurisdiction or it has not been decided at all, though separation of judicial jurisdiction and applicable law is theoretically clear, and does not lead to the any further discussion. The phenomenon is influenced by many factors such as: the historical integrity of the questions of judicial jurisdiction and applicable law, the polysemy of the concept of jurisdiction, the preterition of choice of law in scope of Public Law, the inadaptability of the rules of applicable law in Public Law, the similarity of criteria in judicial jurisdiction and in choice of law rules, the close connection between choosing court and law, the issues of the rules of the conflict of laws, psychological difficulties, as well as the problems of searching, translating and interpreting foreign law.

9. The problem of historical integrity of the questions of judicial jurisdiction and applicable law cannot be eliminated, simply because it does not exist theoretically. A competent judge should perceive the development of society and law and therefore

historical inadequacies must be evaluated. Thus historical integrity of the questions of judicial jurisdiction and applicable law cannot be an obstacle in choosing a foreign law. The problem of polysemy of jurisdiction is eliminated by mentioning it at least when a consensus on the usage of the concept of jurisdiction is achieved. Therefore, the polysemy of jurisdiction, however confusing it may be, cannot complicate the application of a foreign law. The solution to the problem of preterition of applicable law in Public Law lies in confronting the problem itself. The lumping together of the choices of court and law has some theoretical and logical grounds. However this phenomenon is not a problem in itself, it is just the adoption of the legal policies. The separation of these two questions is recognized in Lithuania and therefore problems do not emerge unless the opinions of the legislator and courts change. The similarity between the criteria of judicial jurisdiction and choice of law should not be a barrier in choosing a foreign law.

10. The inadaptability of rules of choice of law in resolving conflicts between domestic and foreign public laws is a very strong obstacle in applying a foreign law. There is no adequate solution available. A means may be found which defuses the problem, but it cannot be completely solved. The problem lies in legal policies. Therefore if a solution can be found, it may be beyond jurisprudence in its narrow sense.

11. An obligation assigned to a court to find the sources of a foreign law autonomously in a limited period of time, in absence of domestic or foreign organizations responsible for law searching, and in absence of the assistance of litigants or experts, and also in the case when a judge neither knows nor is obliged to know the foreign language at hand should be conceived as an impossible task. An absolutely accurate translation of a difficult legal text into a foreign language is in essence also impossible. If the translation were perfect it may only approaches the absolute equivalent, however a total analogy would still be impossible to attain. Any means of reliably ensuring the precision of the translated texts from the original language are not known to modern science. A skilled translator has the chances to avoid all linguistic traps; however they could make neither the structures of languages, nor social and legal cultures, nor conceptions uniform. The translations remain a creative activity, even in translating legal texts. Legal interpretation inevitably begins with the translation.

12. Many theories of legal interpretation have advantages and disadvantages, though interpretation in the context of particular case does not have any alternatives. Despite the

theory in use, the correctness of the interpretation cannot be verified by any objective scientific means. The system of the court instances, by its very nature cannot be reckoned as such. Therefore theories of legal interpretation can hardly be valued as scientific, at least not as jurisprudence. Eclectic interpretation cannot be displaced by any other sort. The more various arguments are considered by a court, when interpreting the law and the more theories used, the better the outcome of the interpretation. There are no reasons to restrict oneself to one or another interpretation method if all methods can be engaged.

13. Because of the practical reasons, like the absence of corresponding procedural institutions, and often because of direct provisions of the legal norms, a court neither can, nor should apply foreign procedural law. Without a clear borderline between substantive and procedural law, the *ad hoc* considerations in each case have no alternatives.

14. A prohibition of refusal to apply foreign law only because it is public, which is set in Lithuanian law, is reasonable. On the other hand, a court often has no possibility to restrain itself from applying *lex fori*, when the foreign public law conflicts with domestic public law. Delimitation of the public and private laws in civil cases related to unallowable posting of information on the Internet is extremely complicated because the legal norms of private law are closely intertwined with, or even grounded on, the principles and norms of Constitutional Law, Criminal Law and other bodies of public law. Keeping in mind the fact that states seek to execute their public law without exceptions usually ignoring this impact on other states, the analysis of judicial jurisdiction and choice of law in context of International Private Law in civil cases related to unallowable posting of information on the Internet confronts many issues. A universal consensus of states on judicial jurisdiction and applicable law in the context of unallowable posting of information on the Internet is improbable. By employing *ordre public* doctrine, or executing imperative law, *lex fori* will be applied if a real conflict of the public laws occurs. A foreign public law may be applied freely only if there is no conflicting domestic public law, which forum state is interested in applying, in other words, foreign public law will only be applied when there is no real collision of laws.

15. A regulation set in Lithuanian law, where the content of a foreign law is sometimes reckoned as a question of law, and in other cases as a question of fact, and

where *lex fori* should be applied if the court fails to find out the content of foreign law, or parties fail to prove it, this regulation satisfies the modern demands, though it is not absolutely consistent.

16. Virtually all the rules of applicable law chosen on the basis of cause for the law (Lat. *lex causae*) are grounded on the territorial principle. The concept of the law of place (Lat. *lex loci*) in itself encourages choosing a certain place or its law, thus an emphasis on territory or place does not contain deep meaning. During the development of International Private Law the methods of flexibly choosing the law were discovered in spite of application of the territorial principle. It becomes usual to take into consideration not only the place of the act (Lat. *locus actus*), but also the place of the effect in its broad meaning (Lat. *locus effectus*), as well as plenty of other circumstances. Therefore, the application of a law far beyond the borders of the territory of the sovereign, who had announced such a law, became the usual practice long ago actually. A legislator sometimes directly obliges forum courts to apply their law to relations abroad. The territorial principle theoretically and practically could reflect *lex loci delicti*, *lex loci actus*, *lex loci damni*, *lex loci protectionis*, *lex loci situs*, *lex fori*, *lex domicilii*, *lex patriae*, *lex loci laboris*, *lex loci originis*, *lex loci destinationis*, *lex loci expeditionis* and many other collision rules. So territorial principle can hardly be named a rule or principle at all. It should instead be conceived as an idea or a metaphor inviting the courts not to abandon the Theory of Vested Rights. The territorial principle does not point out the place, whose law should be applied, but it rather encourages searching for an applicable law, which protects infringed rights. However, the essence of the problem of conflict of laws is exactly the overlapping of laws, therefore such encouragement is useless. A court would not openly apply any *lex causae*, which does not vest rights, in other words the court would not apply any law, which does not regulate relations at hand. There are no theoretical reasons why the laws of many different states may not be simultaneously applied in a case of ubiquitous infringement, which usually take place in civil cases related to unallowable posting of information on the Internet. The loyalty to territorial principle implicates exactly this. Usage of one single law, which was chosen on grounds of the most significant relationship or on other grounds, would mean the application of foreign law even to autonomous relations. The burden of applying many laws would obviously become practically unbearable and the inner compatibility of the decision

would cause problems. Nevertheless, this possibility should be contemplated, because the burden may be shifted to the litigants, and then finally to the party, who lost the case. Care and caution will then be stimulated in the process of suing and defending and it will also stimulate agreements on applicable law, if they are permissible.

17. The problem of a collision of laws should be overcome by choosing the law in civil cases with a foreign element related to unallowable posting of information on the Internet. Legal norms do not provide absolutely definite rules of choosing a law; therefore the courts should be conducted by general principles. The attitudes of scholars regarding the choice of law differ drastically. Plenty of theories, whose flaws were pointed out not only by the critics, but also by their authors, have been created. Thus the task of usage of the doctrines is complicated in practice. Systematization of theories or the classification of these methods may be proposed using a spatial 3-D model of the applicable law theories, where three axes are drawn: first, the axis of manner of overcoming the conflict of laws, or *lex fori* (F) and *lex causae* (C) dichotomy on the abscissa; second, the axis of evaluating the interests of states, or *unilateralism* (U) and *multilateralism* (M) dichotomy on the ordinate; and, third, the axis of the nature of applicable law, or *substantivism* (S) and *selectivism* (E) dichotomy on the applicate. The proposed model enables the pointing out of the place of each theory in 3-D system. The essential principles of most theories may be described by the six categories mentioned. Therefore the area of application of this model is broad, ensuring a consistency of further discussions and facilitating the choice of law in a certain case. The place of proper theory in the model may be C-D-P in the civil cases with a foreign element, which are related to unallowable posting of information on the Internet, if the conditions are normal.

18. In hearing civil cases with a foreign element, which are related to unallowable posting of information on the Internet, and any other cases related to delictual obligations, the law of state, where both parties are domiciled (Lat. *lex domicilii*), should be applied. If the parties are domiciled in different states, then the law of the court to which the lawsuit is brought (Lat. *lex fori*) should be used if the parties agree. The Internet has no influence on *lex domicilii*, or on *lex fori*, because communication does not change the meaning of the concepts of domicile or forum. If the litigants live in the different states, and do not agree on choosing *lex fori*, then the law which is chosen by a plaintiff should be applied. However, their choice is limited. They can choose one option

out of three: first, the law of the state where the tortious act was committed (Lat. *lex loci actus*), and, correspondingly in civil cases related to unallowable posting of information on the Internet, the law of the state where information had been uploaded or hosted; second, the law of the state where any other tortious circumstances occurred, correspondingly, the law of the state where the server was placed; and third, the law of the state in which the damage occurred (Lat. *lex loci damni*), correspondingly, the law of the state where information had been hosted or downloaded. The concept of the law of the state most closely connected (most significant relationship) to the dispute cannot be directly linked to the means of transmitting information. Therefore the choice should be governed by general rules in such cases, evaluating the server place, the places of information uploading and downloading, the intention and target of the offender, the nationality of the offender and the injured person.

19. All the means of proving (Lith. *įrodinėjimo priemonės*) which are used in modern Lithuanian proceedings are exhibits or testimonies by their nature. The explanations of parties or third parties (Lith. *trešieji asmenys*) are the testimonies, the equivalent of the testimony of a witness (Lith. *liudytojų parodymai*). Written proof implies the existence of a physical thing or medium. Thus it is the exhibit in essence where readable information is stored via characters. During the view things are inspected in their locations, and a protocol of view (Lith. *apžiūros protokolai*) acts as a substitute for the exhibits. The exhibit or exhibits remain the source of information to adjudicate and the protocol acts only as a medium between the exhibit which was not brought to the court, and the proceedings. The conclusion of an expert (Lith. *eksperto išvada*) is an opinion of a person, who has special knowledge in a field of science, medicine, art, technology or trade, and this conclusion is then transferred to a physical medium. So, the conclusion of an expert is in essence a testimony. Photos, video and audio recordings are passed to the court contained in the form of some physical medium, such as paper, films, discs and other forms. Therefore these means of proving are the exhibits. All the means of proving which may be used in the litigation must be either exhibits or testimonies. Therefore the open-ended list of the means of proving can neither complicate the process, nor facilitate it. The tangible (material, physical, real) evidence (Lith. *daiktiniai įrodymai*) may simply be called the exhibits, and written (documentary) evidence (Lith. *rašytiniai įrodymai*) may be called the written material.

20. The segregation of the means of proving which is established in the Code of Civil Procedure, namely the explanations of the parties or third parties, the testimonies of a witness, written material, exhibits, protocols of view, the conclusions of an expert, photos, video and audio recordings is reasonable and understandable. Such differentiation is grounded on the purposes of proceedings. The segregation of the so-called electronic evidence, as a *sui generis* means of proving is neither reasonable, nor necessary, nor advisable, and the concept of electronic evidence though commonly-used, is not successful. The concept of electronic evidence supposes the storage of information in digital form usually, though it does not imply whether a transformation from an analogous form took place during the creation of evidence.

21. There are no significant differences between paper documents and electronic ones, which are important for court proceedings. Both sorts of documents may be kept or erased, the content may be complete or dynamic, they may have meta-data, they may be dependent on the environment, they may wear out and consist of one or many parts. Different amounts of these two sorts of documents, the convenience of search and the speed of copying are things, which do not relate directly to civil procedure. Changing the form of storage from analogous to digital and vice versa is possible both in proceedings and beyond. The differences between the forms of storage of information are not important enough to require changes in civil procedure statutes. There are several reasons or the initiatives taken towards changing civil procedure rules by elaborating on them and establishing the concept of electronic evidence. The peculiarities of proof traditions in common law states, the institution of the jury and distrust of the courts in states where the outcome of the cases is extremely uncertain should be mentioned as the most important causes of such initiatives. The first and second courses are not relevant in the case of Lithuania. Fears regarding the degeneration of the principle of Free Evaluation of Evidence into judicial arbitrariness and capriciousness have some basis indeed. However the suggestions to turn to Formal Evaluation of Evidence and to look for rationality here is neither proper, nor purposeful, nor realistic. The Principle of Free Evaluation of Evidence is known in the law of most countries and has no other alternatives unless universally recognized quantitative methods for measuring the significance of proof exist. The problems of wrong evaluation of evidence should first of

all be solved by using other methods, namely by increasing the independence of the courts and judges, their competence and transparency of the proceedings.

22. Despite the variety of civil cases related to the Internet, the parties and courts confront only four main problems of proof: a) finding out information regarding the a situation, b) identifying of liable persons, c) collection, exaction and usage of the evidence and d) ensuring the authenticity of the evidence. Neither of these is typical only to the Internet. Digital evidence should be used, depending on its content and form as written material, exhibits, photos, video and audio recordings. In validating the credibility of the digital evidence and in its unveiling content, the testimonies, the conclusions of an expert and protocols of view may be used. Also the attributes which can in themselves confirm the authenticity of digital evidence should be investigated. The issues of finding out information regarding the past situation, identification of liable persons, collection, exaction, investigation, evaluation and ensuring authenticity of the evidence are no more complicated in the context of the Internet than in any other case. Moreover, the abundance of digital information, the birth of its automatic collection and processing systems facilitate the proving of facts. Because of the development and complexity of Information Technology, the growth of the significance of an adjacent science, such as Forensic Information Technology, is likely.

Author's academic publications related to the dissertation

1. Stankevič A. Teisingumo nustatymas užsienio elementą turinčiose bylose dėl neleistinos informacijos skelbimo Internete (Assertion of Judicial Jurisdiction in Cases with a Foreign Element, which are Related to Unallowable Posting of Information on the Internet). *Teisė. Mokslo darbai*, 2008, No 66(2), p. 71-83.
2. Stankevič A. Teisių kolizijos teorijos neleistinos informacijos skelbimo Internetu kontekste: greitkelis pelkėje (The Theories of Conflict of Laws in Context of the Cases Related to Unallowable Posting of Information on the Internet: Superhighway in the Swamp). *Verslo ir teisės aktualijos*, 2009, No 4, p. 232-249.

Author's personal details

Andžej Stankevič was born on 2 July, 1976 in Vilnius, Lithuania.

He graduated from the 58th Secondary School in Vilnius *magna cum laude* in 1994, entered Vilnius Gediminas Technical University the same year, and gained a Bachelor degree in Civil Engineering in 1998, and a Master degree in Civil Engineering (Urban Engineering Information Systems) in 2000.

Andžej Stankevič entered the Faculty of Law of Vilnius University in 2001, and graduated in 2005, and acquired a Master's of Law degree.

He started practicing law in 2005 as Assistant Advocate at the J. Leikauskas's Law Firm.

Andžej Stankevič became a member of the Lithuanian Bar Association in 2008, and since then has been a practicing lawyer in his own Andžej Stankevič's Law firm in Vilnius.

Reziumė

Tiriamoji problema

Nagrinėjant civilines bylas dėl neleistino informacijos skelbimo internete kyla daugybė teorinių ir praktinių problemų. Jos skiriasi pagal pobūdį, apimtį, svarbą, sudėtingumą, naujumą, išnagrinėjimo laipsnį. Disertacijoje tiriamos trys problemos, kurių dvi – *teisingumo* nustatymo bei *taikytinos teisės* pasirinkimo užsienio elementą turinčiose bylose – priklauso tarptautinės privatinės teisės sričiai, o trečioji – *įrodymų bei įrodinėjimo* – civilinio proceso teisei. Pasirinkimą nulėmė kelios priežastys. Pirmiausia, minėtos problemos bylose dėl neleistino informacijos skelbimo internete sukelia daugiausiai diskusijų, o tai rodo jų aktualumą. Antra, teismų kompetencijos, teisės parinkimo ir kai kuriuos įrodinėjimo klausimus tenka spręsti pirmiausiai, tad ir iššūkius nagrinėti prasminga pradėti nuo jų. Trečia, nurodytos problemos yra bendros visoms tyrimo dalyku esančioms byloms ir yra spręstinos kone kiekvienoje civilinėje byloje dėl neleistino informacijos skelbimo internete. Su internetu susijusios teisinės problemos dažniausiai kyla dėl daugelio jame vykdomų operacijų sienas kertančios prigimties, vadinasi, dažnai turi užsienio elementą. Atsižvelgiant į informacijos perdavimo, saugojimo ir skelbimo ypatumus, kiekvienu atveju būtina patikrinti, ar byloje nespręstini tarptautinės privatinės teisės klausimai. Ir priešingai, daugelis siauresnio pobūdžio problemų būdingos tik tam tikros rūšies civiliniams santykiams. Ketvirta, neteisingas teisingumo, taikytinos teisės ir įrodymų problemų sprendimas sukeltų ypač neigiamų pasekmių bylos dalyviams. Jie negalėtų tokių pasekmių protingai numatyti, o užsienio valstybės tuo pagrindu galėtų net atsisakyti pripažinti sprendimą.

Darbe nėra nagrinėjami atskirų rūšių neleistino informacijos skelbimo internete ypatumai. Internetu daromų pažeidimų rūšių yra labai daug ir kiekvienas tam tikra prasme pasireiškia neleistinu informacijos skelbimu. Tuo tarpu ypatumų turi anaipol ne visi. Šiuos pažeidimus vienija neteisėtumas, o kartais specifiką apskritai sunku išvelgti – internetas tėra dar viena komunikacijos priemonių rūšis. Kita vertus, keletas naujų interneto sąlygotų pažeidimų neabejotinai egzistuoja. Antai įsilaužimai į kompiuterių tinklus atsirado matyt kartu su kompiuterių tinklų atsiradimu. Tačiau tokių įsilaužimų nagrinėjimas disertacijoje pažeistų pusiausvyrą – kai kurie pažeidimai būtų neišvengiamai analizuojami plačiau, nors toks dėmesio sutelkimas dėl tyrimo objekto bendrumo nebūtų pakankamai pagrįstas.

Galimybės ir problemos disertacijoje bus suprantamos kaip priešingos to paties reiškimo pusės. *Problema* yra teorinis ar praktinis uždavinys reikalingas tyrimo, sprendimo, o *galimybė* yra tai, kas galima, galimumas. Disertacijoje nagrinėjami teisingumo, taikytinos teisės ir įrodinėjimo teoriniai ir praktiniai uždaviniai bei nustatomi tokių uždavinių sprendimai. Būtent pastarieji tyrime vadintini galimybėmis. Taigi darbe nagrinėjamos problemos, o jų sprendimo ar jo palengvinimo išdavos suprantamos kaip galimybės.

Apibendrinant aukščiau pateiktus aiškinimus, suformuotinas disertacijos tyrimo dalyko apibrėžimas. Disertacijoje nagrinėjami *užsienio elementų turinčių civilinių bylų dėl turtinės prievolės, kurios viena šalis turi teisę reikalauti atlyginti nuostolius, o kita šalis privalo juos atlyginti, kai pažeidėjas, nesant sutartinių santykių, sudarė interneto naudotojams galimybę susipažinti ar kitaip naudotis neskelbtina informacija ir šiais veiksmais padarė žalos nukentėjusiajam, teisingumo nustatymo, taikytinos teisės pasirinkimo bei įrodinėjimo problemos ir šių problemų sprendimo būdai*.

Nagrinėjamos problemos yra iš dalies išplėtotos, tai yra sprendimo būdai yra žinomi, sprendimų paieška vyksta seniai, nors dažnai nėra sėkminga. Be kita ko, siekiama išsiaiškinti šios nesėkmės priežastis.

Darbo aktualumas

Informacinės technologijos plėtros procesai spartėja. Pasaulis ne be pagrindo vis dažniau vadinamas globaliuoju kaimu. Lūžio tašku laikytinas tarptautinių informacinių tinklų, visų pirma interneto, atsiradimas ir jų naudojimo plačioje visuomenėje pradžia. Šis reiškinys laikomas penktąja žmonijos istorijoje informacine revoliucija. Šie procesai lėmė kiekvienam asmeniui galimybę bendrauti su visu pasauliu, gauti ir perduoti pranešimus tiek apibrėžtai, tiek neapibrėžtai asmenų grupei, pasiekti per atstumą šaltinius tiek šalies viduje, tiek užsienyje. Vartotojo geografinė buvimo vieta informacijos pasiekiamumo prasme turi vis mažesnę reikšmę. Jeigu pasitvirtintų prognozės, netrukus bet kokia pasaulyje esanti informacija bus saugoma skaitmenine forma ir nemaža jos dalis bus laisvai prieinama globaliame tinkle.

Nurodytomis galimybėmis ne visuomet naudojamosi teisėtai. Tinkluose atsirado informacijos, kurios skelbimas yra valstybių draudžiamas. Su šiomis problemomis teismai, pirmiausiai Jungtinėse Amerikos Valstijose (toliau – JAV arba Jungtinės

Valstijos), kuriose viešųjų informacinių tinklų naudojimo plėtros šuolis prasidėjo anksčiausiai, susidūrė jau praėjusio amžiaus paskutinio dešimtmečio pradžioje. Būtent teismai, nagrinėdami kylančius ginčus, sudarė galimybę apibrėžti pagrindines ir šiuo metu neretai į įstatymus perkeltas taisykles. Todėl teisėjai iš esmės tapo įstatymų leidybos šioje srityje varikliu. Lietuvos teismai galėtų pasinaudoti pasauline praktika ir išvengti klaidų, kurios buvo daromas penktosios informacinės revoliucijos pradžioje.

Nors atsakomybės taikymo už neteisėtą informacijos paskelbimą internete problemos yra labai reikšmingos tiek teorijai, tiek praktikai, jos nekvestionuojamos ir dėl jų nuolat diskutuojama, iki šiol Lietuvoje šiai temai skirtų mokslo darbų nėra daug.

Darbo uždaviniai

Vienas pagrindinių disertacijos uždavinių – pateikti pasiūlymus, kaip racionaliai taikyti *galiojančias* teisės normas, nuosekliai aiškinti įstatymų nuostatas dėl interneto naudojimo metu kylančių santykių, ir palengvinti praktinį normų įgyvendinimą.

Taigi, disertacijos uždaviniai yra šie:

1. Susieti pažeidimo, kitokių žalą sukėlusiu aplinkybių, prievolės atsiradimo ir įvykdymo, žalą sukėlusio veiksmo, žalos atsiradimo vietas su tokiais interneto kategorijomis kaip informacijos išsiuntimas, jos tranzitas, saugojimas, skelbimas, gavimas.
2. Sukurti teisės aktuose įtvirtintų teisingumo nustatymo principų įgyvendinimo praktikoje koncepciją bylose dėl neleistino informacijos skelbimo internete.
3. Išgryninti teisingumo nustatymo ir taikytinos teisės pasirinkimo iššūkį, vienijantį visas bylas dėl neleistino informacijos skelbimo internete ir bendrą jo išsprendimo principą.
4. Pasiūlyti priemones, galinčias ateityje palengvinti teismo proceso našumą užsienio asmenims.
5. Sukurti taikytinos teisės pasirinkimo taisyklių įgyvendinimo praktikoje koncepciją bylose dėl neleistino informacijos skelbimo internete.
6. Išgryninti taikytinos teisės pasirinkimo teorijų visumą ir sukurti modelį teorijoms klasifikuoti, aiškinti, plėtoti ir taikyti.
7. Atskleisti teisingumo nustatymo ir taikytinos teisės pasirinkimo ryšį bylose dėl neleistino informacijos skelbimo internete.

8. Sukurti įrodinėjimo priemonių sisteminių modelių ir nustatyti vadinamųjų elektroninių įrodymų vietą jame.
9. Nustatyti dažniausiai kylančias įrodinėjimo problemas bylose dėl neleistino informacijos skelbimo internete ir pasiūlyti jų sprendimus.
10. Sukurti įrodymų, aktualių bylose dėl neleistino informacijos skelbimo internete, atskleidimo ir naudojimo koncepciją.

Darbo naujumas

Darbe pateikta originalaus ir naujo:

- *keturios koncepcijos* – interneto ryšio su geografinėmis vietomis, teisingumo nustatymo, taikytinos teisės pasirinkimo ir interneto įrodymų atskleidimo bei naudojimo bylose dėl neleistino informacijos skelbimo internete;
- *du pasiūlymai* – dėl bendro teisingumo nustatymo ir taikytinos teisės pasirinkimo iššūkio įveikimo bylose dėl neleistino informacijos skelbimo internete, taip pat dėl daiktinių bei rašytinių įrodymų sąvokos pakeitimo;
- *progozė* dėl įstatymų leidėjo apsisprendimo išlaikyti teisingumo ir taikytinos teisės taisyklių lankstumą;
- civilinio proceso su per atstumą jame dalyvaujančiais užsienio asmenimis *institutas*⁷;
- taikytinos teisės pasirinkimo teorijų *erdvinis trimatis modelis*;
- įrodinėjimo priemonių *matricinė klasifikacija*;
- įrodinėjimo problemų bylose dėl neleistino informacijos skelbimo internete *keturnarė klasifikacija*;
- pastebėjimai, paaiškinimai, išvados.

Darbo reikšmė

Disertacijoje pasiūlyti *koncepcijos, modeliai* ir kiti sprendiniai yra pakankamai aiškūs ir įsimenami, kad būtų taikomi praktikoje, ir, kita vertus, pakankamai talpūs ir turiningi, kad galėtų būti naudojami teoriniuose svarstymuose bei diskusijose, nepaisant, ar jiems pritariama visiškai ar iš dalies, ar visiškai nepitariama. Todėl tikimasi, kad

⁷ Šis institutas buvo įtvirtintas įstatymu. Žr.: Valstybės žinios, 2011, Nr. 85-4126.

disertacijos rezultatai galėtų būti naudingi tarptautinės privatinės teisės ir civilinio proceso teisės mokslo srityse, plėtojant teisingumo nustatymo, taikytinos teisės pasirinkimo ir įrodymų teorijas, taip pat teismų praktikoje, nagrinėjant bylas dėl neleistino informacijos skelbimo internete. Rezultatai taip pat galėtų būti naudingi įstatymų leidėjui, rengiančiam kai kurias įrodymų institutą patikslinančias ir nuotolinį procesą įtvirtinančias civilinio proceso kodekso pataisas.

Ginamieji disertacijos teiginiai

Pirma, teisės mokslas gali pasiūlyti apibrėžtą rezultatą užtikrinančias teisingumo nustatymo ir taikytinos teisės pasirinkimo taisykles. Tačiau dėl tam tikrų priežasčių tokie pasiūlymai užsienio elementą turinčioms byloms dėl neleistino informacijos skelbimo internete, nesant galimybės pasiekti visuotinį valstybių susitarimą, įstatymo leidėjui yra neaktualūs. Todėl menkai varžomas lankstumas yra sąmoningas valstybių pasirinkimas ir savaime nėra taisytinas blogis.

Antra, apibrėžiant prievolės atsiradimo ir vykdymo vietas nustatant teisingumą, taip pat pažeidimo vietą pasirenkant taikytiną teisę, užsienio elementą turinčiose civilinėse bylose dėl neleistino informacijos skelbimo internete technologine prasme reikšmę turi informacijos išsiuntimo, gavimo, saugojimo ir skelbimo vietos.

Trečia, atsakovo buvimas valstybėje ieškinio įteikimo metu, nuolatinės gyvenamosios vietos turėjimas, turto valdymas ar turtinių teisių priklausymas atsakovui valstybėje, šalių susitarimas yra bendrieji teisingumo nustatymo kriterijai visoms byloms, nepriklauso nuo ginčo pobūdžio ir laikytini prioritetinais. Kai ginčo dalykas yra daiktas teismo vietos valstybėje, arba teismo vietos valstybėje atsirado ar vykdytina ginčo prievolė, bylose dėl neleistino informacijos skelbimo internete reikšmę įgyja: a) informacijos saugojimo, b) skelbimo ir c) gavimo vietos, kadangi jos sietinos su įstatymuose įtvirtintais teisingumo nustatymo principais.

Ketvirta, teismo proceso našta užsienio asmenims gali būti reikšmingai palengvinta naudojant nuotolinio dalyvavimo procese institutą. Nuotolinis teismo procesas galėtų išspręsti kone visas teisines tarptautinio teisingumo problemas ir dalį socialinių, tačiau negalėtų išspręsti politinių, psichologinių, ekonominių ir kitokių klausimų. Tarptautinio teisingumo problema išliks tol, kol nebus išspręsta atitinkamose mokslo šakose. Šiuo metu tokio sprendimo nėra.

Penkta, nepaisant taikytinos teisės pasirinkimo teorijų įvairovės, egzistuoja jas visas vienijantys požymiai, kurie gali būti išgryninti ir panaudoti teorijoms klasifikuoti, rūšiuoti bei tobulinti.

Šešta, spendžiant taikytinos teisės pasirinkimo klausimą bylose dėl neleistino informacijos skelbimo internete reikšmę turi informacijos: a) išsiuntimo, b) gavimo, c) saugojimo ir d) skelbimo vietos, kadangi jos sietinos su įstatymuose įtvirtintais taikytinos teisės pasirinkimo kriterijais.

Septinta, vadinamieji skaitmenine forma saugomi įrodymai neturėtų būti išskiriami kaip atskiros rūšies įrodinėjimo priemonė, nes tam nėra poreikio ar pagrindo ir tai neatitiktų esamos įrodinėjimo priemonių sistemos. Skaitmenine forma saugomų įrodymų iššūkiai turi savitumą, tačiau išsprendžiami naudojant civiliniame procese įtvirtintas įrodinėjimo priemones, ypač eksperto išvadą ir apžiūros protokolą.

Aštunta, absoliuti dauguma įrodinėjimo problemų bylose dėl neleistino informacijos skelbimo internete gali būti suskirstytos į keturias stambias grupes. Nė viena iš šių problemų grupių nėra būdinga vien tik su interneto naudojimu susijusioms byloms.

Darbo metodologija ir metodai

Disertacijoje naudojami sisteminis, kreipimosi, lyginamasis, dogmatinis, lingvistinis, algoritminis, modeliavimo, formalizavimo, abstrakcijos, loginis, dokumentų tyrimo, istorinis, apibendrinimo, statistinis bei kiti tyrimo metodai.

Sisteminio ir kreipimosi tyrimo metodų naudojimas pasireiškia tuo, kad temai aktualūs aspektai nagrinėjami analizuojant civilinės teisės, tarptautinės privatinės teisės, civilinio proceso teisės, viešosios tarptautinės teisės, konstitucinės teisės, baudžiamosios teisės, baudžiamojo proceso teisės ir kitų teisės šakų institutus, taip pat kitas mokslo šakas, nustatant pagrindinius dėsningumus, pasiekimus ir tarpusavio ryšius, juos tiriant ir aiškinant atsižvelgiant į jų visumą. Teisingumo institutas gerai žinomas ir kitais aspektais nagrinėjamas daugelyje teisės sričių, tarp jų – viešojoje tarptautinėje teisėje ir baudžiamojo proceso teisėje. Pastarojoje, kaip ir administracinio proceso teisėje, taip pat išsamiai tiriama įrodymų institutas, esama nemažai darbui naudingų įžvalgų. Civilinis pažeidimas, pasireiškiantis neleistinu informacijos skelbimu, glaudžiai susijęs su konstitucine ir baudžiamąja teise. Vienas iš sisteminimo būdų yra klasifikacijos, kurios

apibendrina sukauptas žinias, užtikrina tinkamą sąvokų ir terminų naudojimą, pašalina mokslo kalbos dviprasmiškumą.

Lyginamajam tyrimo metodui tenka reikšminga vieta. Tiriant visas tris problemas – teisingumo, taikytinos teisės ir įrodinėjimo, atlikta užsienio valstybių ir jų susivienijimų, daugiausia Jungtinių Valstijų bei Europos Sąjungos, mokslininkų požiūrių analizė. Nagrinėjamų santykių teisinis reguliavimas niekur nėra tobulas, užsienio teismų praktika – nenuosekli, reguliavimo nacionaliniu mastu galimybės iš esmės yra ribotos. Todėl disertacijoje pagrindinis dėmesys sutelkiamas būtent teorijoms nagrinėti, tačiau nevengiama lyginti teismų praktiką, teisės aktus, valstybės įgaliotų pareigūnų nuomones.

Dogmatinis metodas naudojimas norint išreikšti pagarbą valstybių suverenitetui, ir nesant pagrindo ignoruoti svarbią medžiagą.

Lingvistinis tyrimas buvo naudotas siekiant visapusiškai išsiaiškinti ir atskleisti kai kurių svarbių disertacijos sąvokų – tokių kaip jurisdikcija ar įrodymai – reikšmę ir prasmę. Šiam tikslui buvo vertinamos ne tik specialios teisinės, bet ir bendros šių terminų reikšmės, pateiktos įvairių kalbų žodynuose.

Algoritminis, formalizavimo ir modeliavimo metodai naudojami siekiant aiškiai ir tiksliai apibrėžti reiškinius ir procesus, patogia forma perteikti tyrimo vykdymo tvarką ir pagrindines išvadas, taip pat klasifikacijoms ir koncepcijoms sukūrti ir pateikti. Ypač plačiai šie metodai taikomi tiriant taikytinos teisės pasirinkimo problematiką, išgryninant įstatymo nuostatas, teorijas ir pasiūlymus bei apibendrinant įrodinėjimo problemas, taip pat nemažai jie naudojami ir kitose darbo dalyse. Išvadoms apibrėžti ir pačiam tyrimui atlikti plačiai naudojami *logikos* metodai – indukcija ir dedukcija. Siekiant išvengti loginės klaidos – skuboto apibendrinimo – indukcinio pobūdžio išvados naudojamos tik atlikus platų tyrimą.

Svarbų vaidmenį atlieka *analizė ir sintezė*, kurios gali ir turi būti suprantamos kaip savarankiški tyrimo metodai. Įvairių teisės šakų institutai, taip pat reiškiniai ir veiksniai išskaidomi, vėliau sujungiami į visumą darbo temai svarbiais aspektais. Šiam tikslui kaip pagalbinis naudojamas *abstrakcijos* metodas.

Dokumentų tyrimo metodas panaudotas tiriant tarptautinių sutarčių rengimo medžiagą.

Buvo naudojami *sociologinio tyrimo* ir *statistiniai* metodai. Tyrimas buvo vykdomas analizuojant kai kurių terminų vartojimo internete ir moksliniuose leidiniuose

papročius, tendencijas ir jų raidą, pavyzdžiui, tokių kaip skaitmeniniai įrodymai, elektroniniai įrodymai ar neleistinos informacijos skelbimas. Statistinis metodas padėjo geriau įvertinti tokio tyrimo rezultatus. Tie patys metodai buvo panaudoti įvertinant disertacijos problematiką nagrinėjančių mokslininkų citavimo šaltinius, siekiant nustatyti daugiausiai įtakos turėjusius mokslo darbus, tokiu būdu papildomai užtikrinant tyrimo išsamumą.

Nors interneto santykių egzistavimo laikotarpis nėra ilgas, reikšmingas yra *istorinis* tyrimo metodas, kadangi požiūrių, teorijų ir praktikos kaita vyksta itin sparčiai. Nagrinėjant bendrus teisingumo, taikytinos teisės ir įrodymų aspektus, dėl kurių diskutuojama šimtus ir net tūkstančius metų, istorinis metodas yra ypač svarbus.

Darbo rengimui ir teorijų vertinimams buvo naudojamas *aproksimacijos*, prisiartinimo metodas. Parengtas darbas, jo struktūra buvo kelis kartus iš esmės tobulinami, nustatant ir šalinant prieštaravimus.

Vienu metu naudojami bendrieji ir specialieji metodai didina tyrimo išsamumą, padeda geriau atskleisti visas tris disertacijoje tiriamas problemas ir užtikrinti rezultatų patikimumą.

Tyrime taip pat panaudota specialiai sukurta programinė įranga.

Teisėje įprasti ir itin plačiai naudojami metodai, tokie kaip sisteminis, lyginamasis, istorinis ir kiti, derinami su rečiau naudojamais – algoritminiu ar formalizavimo, tokiu būdu išgryninant, tikslinant sprendimus ir leidžiant juos patikrinti, kiek tai įmanoma teisės moksle.

Naudojami tiek bendrieji, tiek specialieji tyrimo metodai, dauguma – taip pat žinomi už teisės mokslo ribų. Visi yra patikrinti ir patikimi, leidžia įvykdyti disertacijos uždavinius, yra pakankami rezultato patikimumui užtikrinti, ginamiesiems teiginiams pagrįsti.

Pagrindiniai rezultatai ir išvados

Siekiant išspręsti disertacijos užduotis, išnagrinėta daugybė pagrindinių ir atvirų minėtų sričių problemų. Be to, nemažai bendrųjų teisės teorijos klausimų yra neatsiejamai susiję su disertacijos tema, tai lėmė būtinybę juos nagrinėti. Pagaliau tų pačių problemų iškildavo skirtingose srityse, ir tai sąlygojo persipynusią analizę. Taigi vykdant tyrimą susidarė painus problemų ir galimybių voratinklis.

Nėra abejonių, kad išvados priklauso nuo atsakymo į kiekvieną iš šių klausimų. Reikėjo rinktis tarp teisinio apibrėžtumo ir lankstumo, tarp revoliucijos ir evoliucijos bei tarp daugelio kitų alternatyvų. Turėjo būti rasta pusiausvyra tarp dešimčių kitų dichotomijų kraštutinumų. Ieškant atsakymų buvo ištirta šimtai doktrininių, teisminių ir įstatyminių šaltinių. Pagrindinės problemos ir galimybės buvo apibrėžtos koncepcinėje problemų ir galimybių schemeje.

Išvados padarytos analizuojant šaltinius ir svarstant rezultatus.

1. Tarp interneto ir pozityviosios teisės nėra savaiminio ryšio, tačiau jį kuria įstatymo leidėjas teisės normose ir teismai sprendimuose. Todėl sprendžiant teisingumo, taikytinos teisės ir įrodinėjimo problemas civilinėse bylose dėl neleistino informacijos skelbimo internete tradiciniai principai gali ir turi būti taikomi. Teisės aktai ir teismų praktika turėtų tobulėti laipsniškai, derinant pozityviąją teisę su visuomenės raida, ir internetui ši taisyklė taikytina tiek pat, kiek bet kuriai kitai technologijai ar bendravimo priemonei.

2. Apibrėžiant pažeidimo vietą (lot. *locus delicti*) civilinėse bylose dėl neleistino informacijos skelbimo internete teisine-technologine prasme reikšmę turi: a) *informacijos išsiuntimo* vieta, kuri laikytina žalą sukėlusio veiksmo vieta (lot. *locus actus*), b) *informacijos gavimo* vieta, kuri laikytina žalos vieta (lot. *locus damni*), taip pat c) informaciją saugančios ir skelbiančios *tarnybinės stoties vieta*, kuri priskirtina kitokių žalą sukėlusiu aplinkybių vietos kategorijai.

3. Visuotinai pripažintas skirtumas tarp JAV ir ES požiūrių į teisingumo nustatymą ir taikytinos teisės pasirinkimą civilinėse bylose dėl neleistino informacijos skelbimo internete – tariamas pirmenybės suteikimas lankstumui ar teisiniam tikrumui – neegzistuoja. Europos Sąjungoje nagrinėjamoje srityje lankstumas nėra labiau suvaržytas, o rezultato numatymas nėra paprastesnis negu Jungtinėse Valstijose. Teisingumo nustatymo ir taikytinos teisės pasirinkimo sprendimo apibrėžtumas civilinėse bylose dėl neleistino informacijos skelbimo internete gali būti pasiektas arba reikšmingai ribojant teismų kompetenciją, arba reikšmingai ją išplečiant, bet svarbiausia – nustatant apibrėžtus ir nelanksčius bylų paskirstymo teismams kriterijus. Nė vienas iš šių sprendimų nacionaliniams įstatymų leidėjams nėra priimtinas, kadangi nesant valstybių susitarimo vienašališkas jų laikymasis prieštarautų valstybių interesams. Todėl beveik nevaržomas teismų lankstumas ir kaip pasekmė – rezultato numatymo stoka yra

sąmoningo įstatymų leidėjo pasirinkimo išdava. Teisės mokslas gali pasiūlyti apibrėžtą rezultatą užtikrinančias teisingumo nustatymo ir taikytinos teisės pasirinkimo taisykles, tačiau dėl nurodytų priežasčių tokie pasiūlymai civilinėms byloms dėl neleistino informacijos skelbimo internete yra neaktualūs ir numatomoje ateityje yra pasmerkti būti ignoruojami.

4. Nagrinėjant teismų sprendimuose ir doktrinoje sukurtus gausius alternatyvius teisingumo nustatymo pasiūlymus civilinėse bylose dėl neleistino informacijos skelbimo internete, galėtų būti išgrynintos vos kelios pagrindinės idėjos, papildančios tradicinius principus. Sprendžiant dėl teismų kompetencijos šiose bylose, paprastai vertinami interneto tinklapių interaktyvumas, verslumas ir faktinis poveikis, taip pat skelbėjo veiklos kryptingumas, žinojimas apie ryšį su teismo vietos valstybe, technologijų naudojimas geografinėi lankytojų vietai nustatyti, susitarimų su nukentėjusiuoju buvimas. Visi nurodyti kriterijai, viena vertus, yra nepakankami teisingumo klausimui spręsti, kita vertus, jie tėra tam tikrų tradicinių principų atspindys. Teisingumo nustatymo problemą bylose dėl neleistino informacijos skelbimo internete tikslinga spręsti ne kuriant specialias internetui pritaikytas taisykles, kurios iki šiol buvo nesėkmingos, bet taikant tradicinius principus, atsižvelgiant į vykstančius socialinius ir technologinius pasikeitimus. Tradicinių teisingumo principų taikymas nepaneigia, ir net reikalauja, šiuolaikinių techninių priemonių naudojimo ginčo šalių ketinimams, sąžiningumui, siekiams, išlygoms dėl teisingumo, geografinėi buvimo vietai nustatyti.

5. Tradicinių teisingumo principų taikymą palengvintų atsakovo elgesio ir elgesio poveikio *lokalizavimas*. Lokalizuojant atsakovo elgesį bylose dėl neleistino informacijos skelbimo internete, be kita ko, tikslinga skirti dėmesio pažeidėjo veiksmų ir jų poveikio ryšiui su informacijos išsiuntimo, saugojimo, skelbimo ir pasiekiamumo vietomis.

6. Teisingumo nustatymui Lietuvoje reikšmę turi dvi aplinkybių grupės. Pirma – *atsakovo* buvimas valstybėje ieškinio įteikimo metu, nuolatinės gyvenamosios vietos turėjimas ar gyvenimas joje, turto valdymas, turtinių teisių priklausymo atsakovui faktas, atsakovo sutikimas. Tai yra bendri principai visoms byloms, jie nepriklauso nuo ginčo pobūdžio, laikytini prioritetiniais ir byla dėl neleistino informacijos skelbimo internete šiuo atveju neturi specifikos. Antra aplinkybių grupė, kai *ginčo* dalykas yra daiktas

teismo vietos valstybėje, arba čia ginčo prievolė atsirado ar vykdytina. Šiems kriterijams atitinka tarnybinės stoties buvimo vieta ir informacijos pasiekiamumo faktas.

7. Nepaisant sąžiningo teisingumo nustatymo svarbos, sprendžiant dėl globalizacijos gausėjančius ginčus tarp skirtingų valstybių asmenų, reikšmingą vaidmenį gali ir turi atlikti garso ir vaizdo perdavimo bei asmens tapatybės nustatymo technologijos, sukūrusios prielaidas nuotoliniam teismo procesui. Suteikus užsienio asmeniui galimybę dalyvauti teismo procese nuotoliniu būdu naudojant vaizdo ir garso perdavimo technologijas, neigiami bylos nagrinėjimo padariniai užsienio asmenims sumažėtų.

8. Užsienio teismų praktikoje civilinėse bylose dėl neleistino informacijos skelbimo internete taikytinos teisės pasirinkimas yra nuvertintas, dažnai sprendžiamas neatskiriamai nuo teisingumo nustatymo ar nesprendžiamas apskritai, nors teoriniu lygmeniu teisingumo ir taikytinos teisės klausimų atskyrimas yra aiškus ir didesnių diskusijų nekelia. Tam įtakos turi istorinis teisingumo ir taikytinos teisės klausimų bendrumas, jurisdikcijos sąvokos daugiareikšmiškumas, taikytinos teisės pasirinkimo problemos nutylėjimas viešojoje teisėje, teisės pasirinkimo taisyklių nepritaikomumas viešajai teisei, teisingumo nustatymo ir taikytinos teisės pasirinkimo kriterijų panašumas, glaudus teisingumo ir taikytinos teisės klausimų sprendimo ryšys, kolizijos taisyklių iššūkiai, psichologiniai sunkumai, taip pat užsienio teisės paieškos, vertimo ir aiškinimo problemos.

9. Istorinio teisingumo ir taikytinos teisės pasirinkimo bendrumo problemos neįmanoma pašalinti jau vien dėl to, kad teoriškai jos apskritai neturėtų būti. Informuotas teisėjas suvokia visuomenėje ir teisėje vykstančius procesus, tad istoriniai neatitikimai privalo būti tinkamai įvertinti. Todėl istorinis teisingumo ir taikytinos teisės klausimų subendrinimas negali būti laikomas užsienio teisės taikymo kliūtimi. Jurisdikcijos sąvokos daugiareikšmiškumo problemą pašalina jau pats tinkamas jos įvardijimas ir suvokimas, bent jau tuo atveju, kad yra susitarimas dėl termino vartojimo. Todėl termino *jurisdikcija* daugiaprasmiškumas, nors neabejotinai sukelia tam tikros painiavos, savaime negalėtų apsunkinti užsienio teisės taikymo. Taikytinos teisės pasirinkimo nutylėjimo viešojoje teisėje padarinių sprendimas užtikrinamas jau vien žinojimu. Suplakta teisingumo ir taikytinos teisės analizė turi tam tikrą teorinį ir loginį pagrindą, tačiau šis reiškinytis labiau rodo ne problemą, bet sąmoningą teisinės politikos

pasirinkimą. Lietuvoje pripažįstama, kad šie du klausimai turėtų būti atskirti, tad kol nepasikeitė įstatymų leidėjo ir teismų pozicija, problemų dėl to neturėtų kilti. Taisyklių panašumas taip pat neturėtų trukdyti taikyti užsienio teisę.

10. Taikytinos teisės pasirinkimo taisyklių nepritaikymas konfliktams spręsti tarp valstybių viešosios teisės yra ypač didelė kliūtis taikyti užsienio teisę, iki šiol neturinti adekvataus sprendimo. Tegali būti ieškoma priemonių, kurios sušvelnintų problemą, bet šiuo metu šio klausimo negalima išspręsti iš esmės. Tačiau tai yra teisinės politikos problema, todėl jos sprendimas išeina už siaurai suprantamo teisės mokslo ribų.

11. Teismui priskirtas įpareigojimas per ribotus terminus savarankiškai surasti užsienio teisės šaltinius netgi tuomet, kai nėra paieškos funkciją vykdančių vietinių ar užsienio institucijų, nėra galimybės pasitelkti proceso dalyvių ar ekspertų, ir kai teisėjas nemoka ir neturi mokėti atitinkamos užsienio kalbos, vertintinas kaip neįgyvendinamas uždavinys. Absoliučiai tikslus sudėtingo teisinio teksto vertimas į kitą kalbą taip pat yra neįmanomas. Galima priartėti prie absoliutaus atitikmens, jeigu vertimas yra tobulas, tačiau sudėtingais atvejais visiškai atitikmuo yra nepasiekiamas. Šiuolaikiniam mokslui nėra žinoma būdų, kaip patikimai užtikrinti originalaus ir išversto tekstų tapatumą. Kvalifikuotas vertėjas turi galimybę išvengti visų lingvistinių spąstų, tačiau jis negali nei suvienodinti dviejų kalbų struktūros, nei dviejų visuomenių socialinės ir teisinės kultūros, nei vartojamų sąvokų ir koncepcijų. Vertimas išliks kūrybinė veikla netgi verčiant teisinius tekstus, ir jau vertimo metu neišvengiamai pradedamas teisės aiškinimo procesas.

12. Daugelis teisės aiškinimo teorijų turi privalumų ir trūkumų, tačiau teisės aiškinimui tik konkrečios bylos aplinkybėms neatsirado alternatyvos. Kad ir kokia aiškinimo teorija būtų naudojama, aiškinimo pagrįstumo neįmanoma verifikuoti jokiais objektyviomis mokslo priemonėmis. Teismų instancinė sistema dėl savo prigimties tokia priemone nelaikytina. Todėl teisės aiškinimo teorijoms sunkiai taikytina mokslo, bent jau teisės mokslo, kategorija. Eklektiškas aiškinimas šiuo metu negali būti pakeistas jokių kitu. Kuo daugiau skirtingų argumentų apsvarsto teismas, aiškindamas teisę, kuo daugiau teorijų naudoja, tuo kokybiškesnis aiškinimas yra atliekamas. Nėra pagrindo apsiriboti vienu ar kitu aiškinimo būdu, kai galima pasitelkti visus.

13. Jau vien dėl praktinių priežasčių, tokių kaip atitinkamų procesinių institutų nebuvimo, o dažnai – ir tiesiogiai įpareigojančių teisės aktų nuostatų, teismas negali ir

neturi taikyti užsienio procesinės teisės. Nesant aiškios takoskyros tarp materialiosios ir proceso teisės, *ad hoc* teismo svarstymai konkrečioje byloje neturi alternatyvų.

14. Lietuvos teisėje įtvirtintas draudimas atsisakyti taikyti užsienio teisę vien dėl to, kad ji yra viešoji, yra pateisintinas. Kita vertus, teismas dažnai neturi galimybės netaikyti *lex fori*, kai užsienio viešoji teisė prieštarauja vietinei viešajai teisei. Civilinėse bylose dėl neleistino informacijos skelbimo internete viešąją ir privatinę teisę atskirti yra itin sunku, kadangi privatinės teisės normos šioje srityje yra persipynusios ir net grįstos konstitucinės, baudžiamosios ir kitų viešosios teisės šakų principais ir normomis. Turint omenyje, kad valstybės paprastai be išlygų siekia įgyvendinti savo viešąją teisę, neatsižvelgdamos į kitoms valstybėms jų sprendimais daromą poveikį, teisingumo ir taikytinos teisės klausimų nagrinėjimas tarptautinės privatinės teisės kontekste civilinėse bylose dėl neleistino informacijos skelbimo internete susiduria su daugybe problemų. Visuotinis valstybių susitarimas dėl teisingumo ir taikytinos teisės neleistino informacijos skelbimo internete kontekste yra mažai tikėtinas. Pritaikius viešosios tvarkos doktriną arba vykdant įpareigojimą taikyti imperatyviąją teisę, viešosios teisės tikrojo konflikto atveju būtų taikoma teismo vietos teisė. Viešoji užsienio teisė gali būti laisvai taikoma tik tuomet, kai nėra jai prieštaraujančios vietinės viešosios teisės, kurios taikymu būtų suinteresuota teismo vietos valstybė, kitaip tariant – paprastai tik tuomet, kai nėra tikrosios teisių kolizijos.

15. Lietuvoje įtvirtintas reguliavimas, kuomet vienais atvejais užsienio teisės turinys laikomas teisės klausimu, kitais – fakto klausimu, o teismui nepavykus nustatyti užsienio teisės turinio, ar užsienio teise besiremiančiai šaliai nepavykus jo įrodyti, taikoma vietinė teisė atitinka šiuolaikinius poreikius, nors nėra visiškai nuoseklus.

16. Iš esmės visos priežasties teisės (lot. *lex causae*) taikytinos teisės pasirinkimo taisyklės grindžiamos teritoriniu (teritorialumo) principu. Jau pati vietos teisės (lot. *lex loci*) sąvoka skatina rinkti tam tikrą vietą ir jos įstatymą, todėl teritorijos ir vietos pabrėžimas savaime neturi gilios prasmės. Tarptautinės privatinės teisės raidos metu buvo rasta būdų, kaip lanksčiau parinkti teisę netgi taikant teritorinį principą. Tapo įprasta vertinti ne tik veiksmo vietą (lot. *locus actus*), bet ir veiksmo poveikio, plačiąja prasme, vietą (lot. *locus effectus*) bei daugybę susijusių aplinkybių. Taip įstatymo taikymas už jį paskelbusio suvereno teritorijos ribų faktiškai seniai tapo norma. Kartais pats įstatymo leidėjas tiesiogiai įpareigoja savo valstybės teismus taikyti savo šalies

įstatymą užsienyje vykstantiems santykiams. Kadangi teritorinis principas teoriškai ir praktiškai gali reikšti *lex loci delicti*, *lex loci actus*, *lex loci damni*, *lex loci protectionis*, *lex loci situs*, *lex fori*, *lex domicilii*, *lex patriae*, *lex loci laboris*, *lex loci originis*, *lex loci destinationis*, *lex loci expeditionis* ir daugybės kitų kolizinių taisyklių taikymą, šis kolizinis principas vargu ar gali būti laikomas taisykle. Veikiau jis turėtų būti suprantamas kaip koncepcija, idėja, metafora, kviečianti teismus nenukrypti nuo suteiktų teisių teorijos. Teritorinis principas savaime nenurodo vietos, kurios įstatymas turi būti taikomas, bet skatina ieškoti įstatymo, kuris saugo pažeistą teisę. Tačiau būtent įstatymų persidengimas sudaro teisių konfliktų problemos esmę, todėl toks nurodymas savaime yra bejėgis. Teismas visais atvejais atvirai netaikytų jokio *lex causae*, kuris nesuteikia teisės, kitaip tariant – netaikytų įstatymo, kuris nereguliuoja santykių. Visur vykstančio pažeidimo atveju, kas paprastai atsitinka civilinėse bylose dėl neleistino informacijos skelbimo internete, nėra teorinių priežasčių, dėl kurių vienoje byloje negalėtų būti taikomi daugelio valstybių įstatymai, sprendžiant reikalavimus, susijusius su kiekviena iš tų valstybių. Ištikimumas teritoriniam principui įpareigotų elgtis būtent taip. Vienintelės glaudžiausios ar kitu pagrindu parinktos teisės naudojimas reikštų, kad net savarankiškiems santykiams bus atvirai taikoma svetimos valstybės teisė. Akivaizdu, kad daugybės teisių taikymo našta taptų bemaž nepakeliama, o sprendimo vidinis suderinamumas keltų rūpesčių. Todėl pragmatiniais sumetimais keliolikos teisių taikymas netenkintų. Ir visgi tokia galimybė svarstyтина, nes ši našta galėtų būti perkeliama proceso dalyviams ir pagaliau – pralaimėjusiai šaliai, o tai skatintų rūpestingumą tiek keliant reikalavimus, tiek juos ginčijant, taip pat stimuliuotų susitarimus dėl taikytinos teisės, jeigu jie būtų leisti.

17. Taikytinos teisės pasirinkimui užsienio elementą turinčiose civilinėse bylose dėl neleistino informacijos skelbimo internete būtina teisingai įveikti teisių kolizijos problemą. Teisės aktai tokioms byloms nenurodo visiškai apibrėžtų teisės pasirinkimo taisyklių, todėl teismai privalo vadovautis bendraisiais principais. Mokslininkų požiūriai į teisės pasirinkimą drastiškai skiriasi. Sukurta daugybė teorijų, kurių trūkumus nurodo ne tik kritikai, bet ir patys kūrėjai. Todėl doktrinos naudojimo uždavinys praktikoje yra sunkus. Siūlytinai teisių kolizijos teorijų sisteminimas, metodų klasifikavimas naudojant erdvinį trimatį taikytinos teisės teorijų modelį, turintį tris ašis – teisių kolizijos įveikimo būdo ašį, arba *lex fori* (F) ir *lex causae* (C) dichotomija abscisėje, interesų vertinimo ašį,

arba *vienašališkumo* (V) ir *daugiašališkumo* (D) dichotomija ordinatėje, bei taikomos teisės pobūdžio ašį, arba *materialumo* (M) ir *pasirinkimo* (P) dichotomija aplikatėje. Siūlomas modelis leidžia nurodyti kiekvienos teorijos vietą trimatėje sistemoje. Daugumos teorijų esminiai principai gali būti aprašyti nurodytomis šešiomis kategorijomis, todėl modelio taikymo sritis yra labai plati – nuo tolesnių diskusijų nuoseklumo užtikrinimo iki taikytinos teisės pasirinkimo konkrečioje byloje palengvinimo. Esant įprastoms sąlygoms, užsienio elementą turinčiose civilinėse bylose dėl neleistino informacijos skelbimo internete tinkamos taikytinos teisės teorijos vieta modelyje būtų C-D-P.

18. Sprendžiant bylas dėl neleistino informacijos skelbimo internete, kaip ir bet kokias kitas bylas dėl padarytos žalos atsirandančių prievolių, Lietuvoje bendruoju atveju taikoma valstybės, kurioje yra *abiejų* šalių nuolatinė gyvenamoji vieta, teisė (lot. *lex domicilii*). Jeigu šalių gyvenamosios vietos yra skirtingose valstybėse, tuomet taikoma teismo vietos valstybės teisė (lot. *lex fori*), jei dėl to šalys susitarė. Internetas neturi įtakos nei *lex domicilii*, nei *lex fori* taikymui, nes komunikacija neveikia nei gyvenamosios, nei teismo vietos sąvokų prasmės. Jeigu šalys gyvena skirtingose valstybėse ir nesusitarė dėl teismo vietos teisės taikymo, tuomet taikoma tos valstybės teisė, kurią pasirinko nukentėjęs asmuo. Tačiau jo galimybė rinktis, kaip ir visais kitais atvejais, yra apribota. Jis *gali pasirinkti* vieną iš trijų variantų: valstybės, kurioje padarytas žalą sukėlęs veiksmas, teisę (lot. *lex loci actus*), atitinkamai bylose dėl neleistinos informacijos skelbimo tai būtų informacijos išsiuntimo ar tarnybinės stoties vietos valstybė; valstybės, kurioje buvo kitokių žalą sukėlusiu aplinkybių, teisę, atitinkamai – tarnybinės stoties vietos valstybė; ir valstybės, kurioje atsirado žala, teisę (lot. *lex loci damni*), atitinkamai – tarnybinės stoties vietos ar informacijos gavimo vietos valstybė. Valstybės, su kuria ginčas labiausiai susijęs, sąvoka, tiesiogiai nesietina su informacijos perdavimo priemonėmis. Todėl šiuo atveju derėtų vadovautis bendromis taisyklėmis ir atsižvelgti į tai, kurioje valstybėje yra tarnybinės stoties buvimas, informacijos išsiuntimo ir atsisiuntimo vietos, koks yra pažeidėjo valios kryptingumas ir kokia yra žalą padariusio ir patyrusio asmenų nacionalinė priklausomybė.

19. Visos šiuolaikiniame teismo procese naudojamos įrodinėjimo priemonės savo kilme yra arba daiktai, arba liudijimai. Šalių ir trečiųjų asmenų paaiškinimai yra liudijimai, liudytojų parodymų atitikmuo. Rašytinė medžiaga suponuoja materialaus

pasaulio dalyko – laikmenos buvimą, todėl iš esmės tai daiktas, kuriame tam tikrais ženklais įtvirtinta informacija. Apžiūros metu daiktai apžiūrimi jų buvimo vietoje ir apžiūros protokolas tarsi pakeičia daiktą. Bylai išspręsti reikalingos informacijos pirminiu šaltiniu išlieka daiktas ar daiktai, o protokolas tėra tarpininkas tarp į bylą nepateikto daikto ir proceso – lygiai taip pat, kaip įrašai protokole pakeičia liudytojų parodymus. Eksperto išvada – tai asmens, turinčio specialių mokslo, medicinos, meno, technikos ar amato žinių, nuomonė, perkelta į materialinę laikmeną, todėl eksperto išvada savo kilme yra liudijimas. Nuotraukos, vaizdo ir garso įrašai teismui pateikiami materialiuose šaltiniuose – popieriuje, juostose, diskuose ir kitose laikmenose. Todėl šios įrodinėjimo priemonės tėra daiktai. Visos kitos civiliniame procese naudotinos įrodinėjimo priemonės taip pat bus arba daiktai, arba liudijimai, todėl atviras įrodinėjimo priemonių sąrašas negali nei apsunkinti, nei palengvinti proceso. Daiktinius įrodymus prasminga vadinti tiesiog daiktais, o rašytinius įrodymus – rašytine medžiaga.

20. Civilinio proceso kodekse įtvirtintų įrodinėjimo priemonių – šalių ir trečiųjų asmenų paaiškinimų, liudytojų parodymų, rašytinės medžiagos, daiktų, apžiūros protokolų, ekspertų išvadų, nuotraukų, vaizdo ir garso įrašų – išskyrimas, pagrįstas proceso tikslais, yra dėsningas. Vadinamųjų *elektroninių įrodymų* kaip atskiros įrodinėjimo priemonės išskyrimas nėra nei pagrįstas, nei būtinas, nei tikslingas, o pats elektroninio įrodymo terminas, nors plačiai paplitęs, nėra sėkmingas. Elektroninio įrodymo sąvoka paprastai suponuoja informacijos saugojimą skaitmenine forma, tačiau nenusako, ar šios informacijos sukūrimo metu įvyko bent viena transformacija iš analoginės.

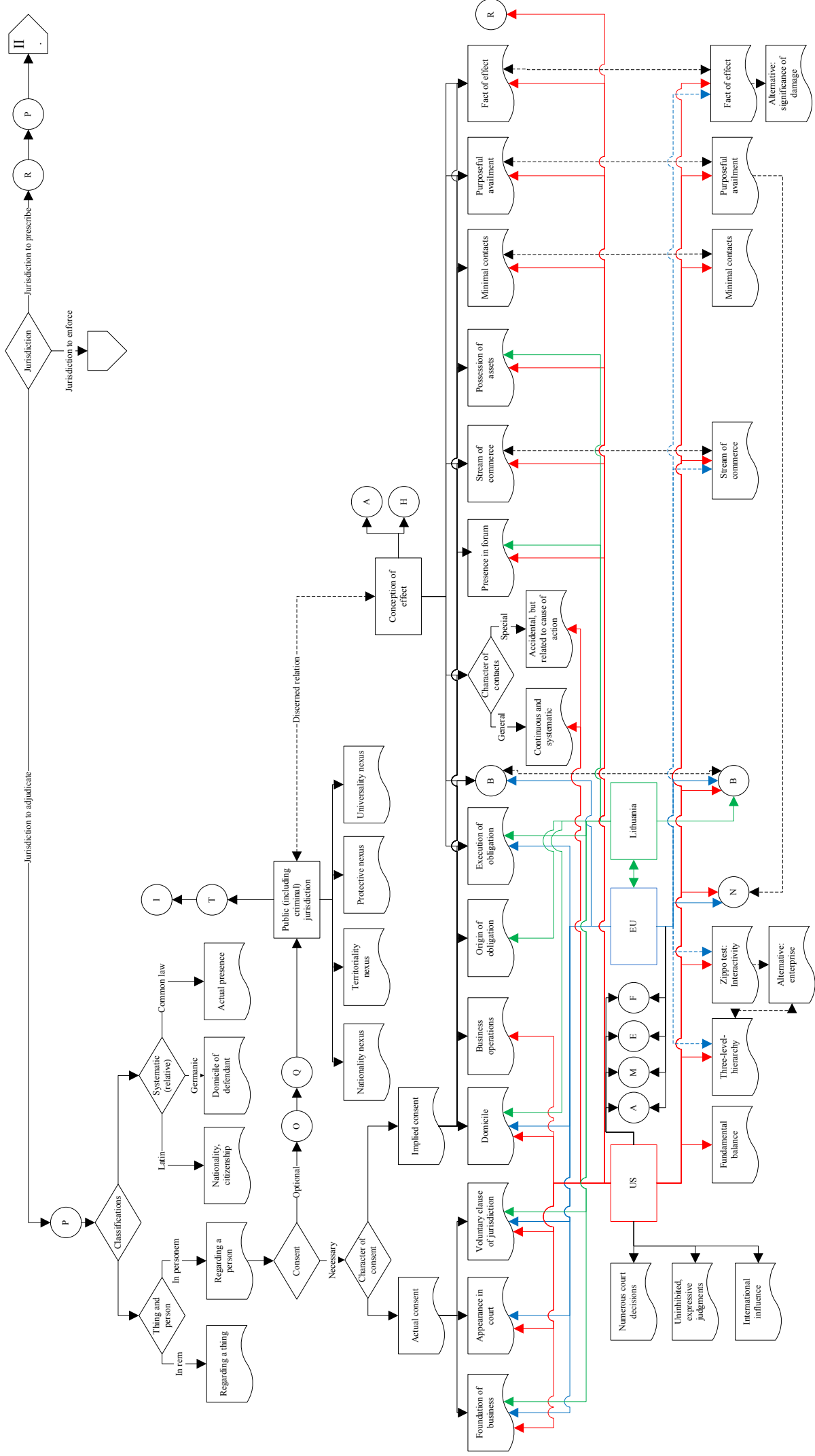
21. Tarp popierinių ir elektroninių dokumentų nėra neįveikiamų skirtumų, turinčių reikšmės civiliniam procesui – abiejų rūšių dokumentai gali būti išlaikyti ar sunaikinti, turėti užbaigtą ar dinaminį turinį, turėti meta-duomenų, būti priklausomi nuo aplinkos, dėvėtis, būti sudaryti iš vienos ar daugybės dalių, o jų skirtinga apimtis, paieškos patogumas ar dauginimo sparta yra su civiliniu procesu tiesiogiai nesusijusios savybės. Galimybė pakeisti informacijos saugojimo formą – iš analoginės į skaitmeninę ir atvirkščiai – įmanoma tiek procese, tiek už jo ribų. Skirtumai tarp šių informacijos saugojimo formų teismo procese negalėtų būti tiek esminiai, kad reikalautų keisti civilinio proceso įstatymus. Yra kelios pagrindinės mokslininkų iniciatyvų keisti civilines taisykles, jas detalizuojant ir įtraukiant elektroninio įrodymo sąvoką, priešastys.

Iš svarbiausių išskirtinos bendrosios teisės valstybių įrodinėjimo tradicijų ypatumai, prisiekusiųjų instituto specifika ten, kur jis naudojamas, ir nepasitikėjimas teismais valstybėse, kuriose ginčų rezultatas yra ypač neapibrėžtas. Pirmosios dvi priežastys Lietuvoje yra neaktualios. Būgštavimai, kad laisvas įrodymų vertinimas peraugs į teisėjų savivalę, turi tam tikrą pagrindą, tačiau pasiūlymai atsigręžti į formaliąją įrodinėjimo teoriją, ieškoti joje racionalumo, nėra nei teisingi, nei tikslingi, nei realūs. Laisvo įrodymų vertinimo principas įtvirtintas daugumos šalių įstatymuose ir neturi rimtų alternatyvų tol, kol nėra visuotinai pripažintų įrodomosios vertės kiekinio matavimo metodikų. Neteisingo įrodymų vertinimo problemas tikslinga spręsti kitais metodais, kurių svarbiausi – tikrojo teismų ir teisėjų nepriklausomumo, teisėjų kvalifikacijos ir proceso skaidrumo užtikrinimas.

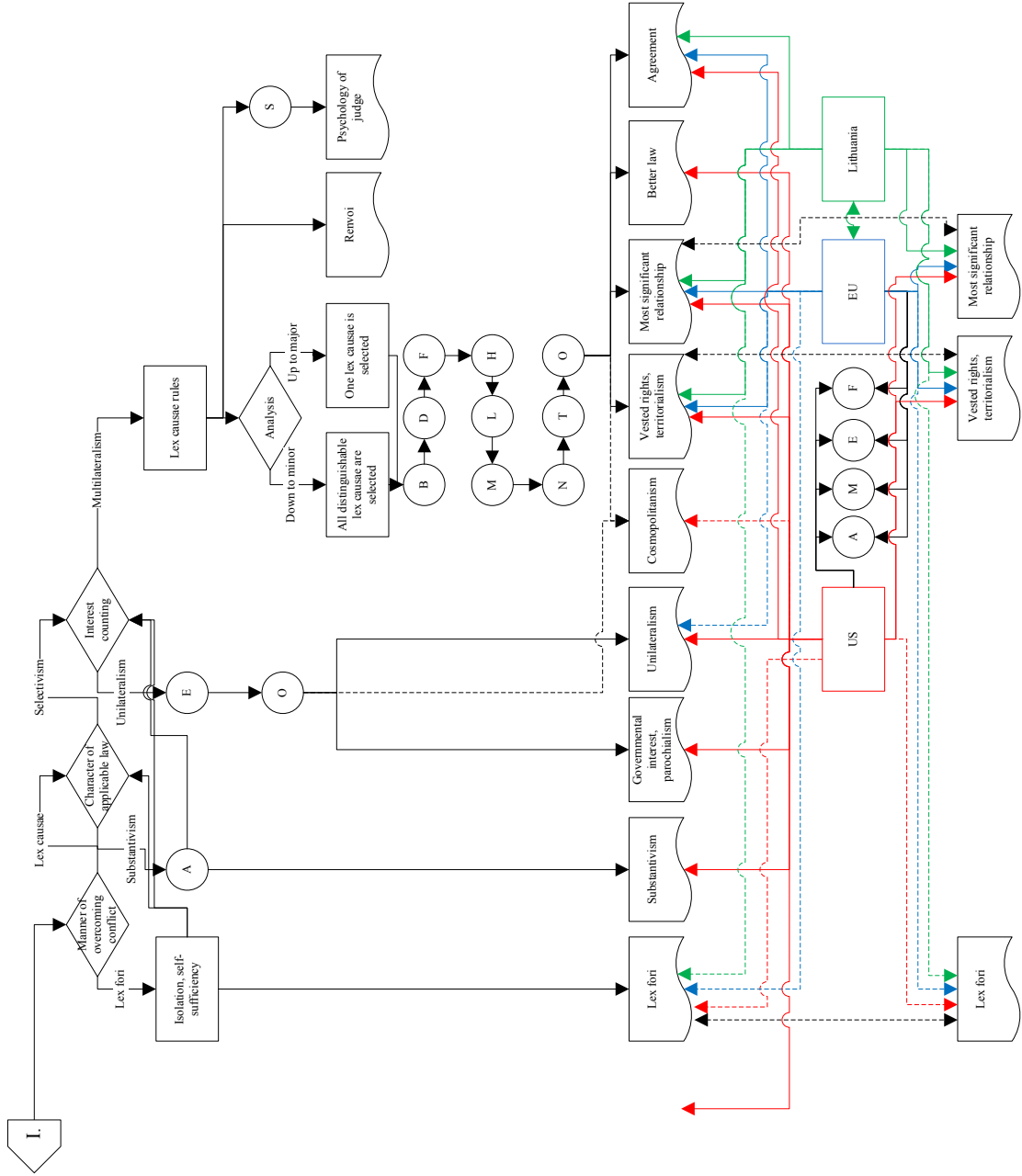
22. Nepaisant bylų dėl neleistino informacijos skelbimo internete įvairovės, proceso dalyviai ir teismai dažniausiai susiduria viso labo su keturiomis pagrindinėmis įrodinėjimo problemomis: a) duomenų apie praeities situaciją išsiaiškinimo, b) atsakingų asmenų tapatybės nustatymo, c) įrodymų surinkimo, išreikalavimo bei naudojimo, d) įrodymų patikimumo užtikrinimo. Nė viena iš šių problemų nėra būdinga išimtinai internetui. Skaitmenine forma saugomi įrodymai teismo procese naudotini priklausomai nuo jų turinio ir pateikimo formos kaip rašytinė medžiaga, daiktai, nuotraukos, garso ir vaizdo įrašai. Skaitmenine forma saugomų įrodymų tikrumui patvirtinti ir turiniui atskleisti plačiau naudotini liudytojų parodymai, eksperto išvados ir apžiūros protokolai. Taip pat tirtini įrodymų požymiai, galintys savaime patvirtinti jų tikrumą. Interneto kontekste duomenų apie praeities situaciją išsiaiškinimo, atsakingų asmenų tapatybės nustatymo, įrodymų surinkimo, išreikalavimo, tyrimo, vertinimo, patikimumo ir tikrumo užtikrinimo problemų sprendimas nėra sunkesnis nei kitais atvejais. Skaitmenine forma saugomos informacijos gausa, esamos automatinio informacijos rinkimo ir apdorojimo priemonės dažnai net palengvina įrodinėjimą. Dėl informacinių technologijų raidos ir jų sudėtingumo yra tikėtinas ribinio mokslo – teismo informacinių technologijų – naudojimo teismų procesuose reikšmės didėjimas.

Appendixes

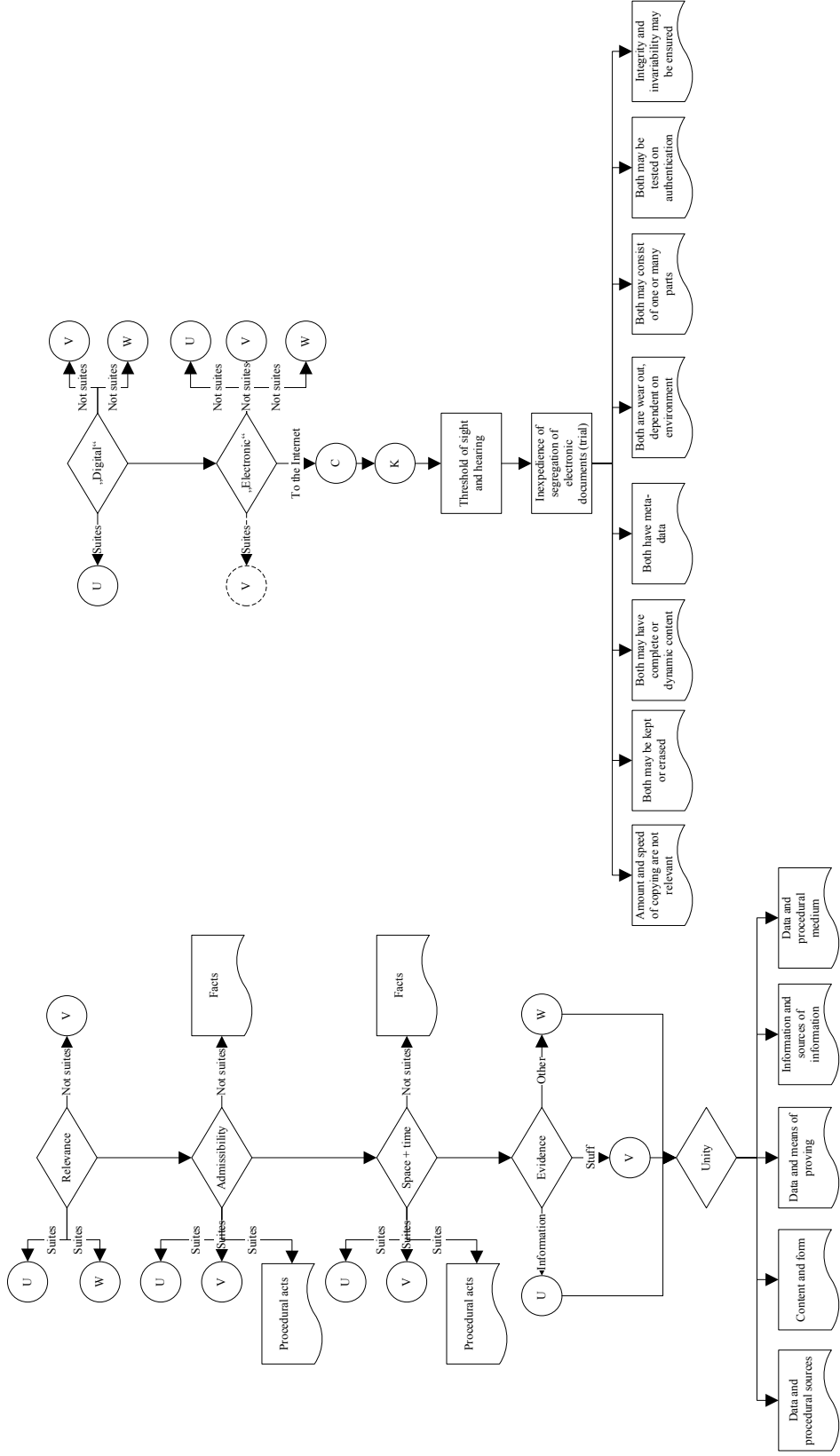
I. Judicial Jurisdiction



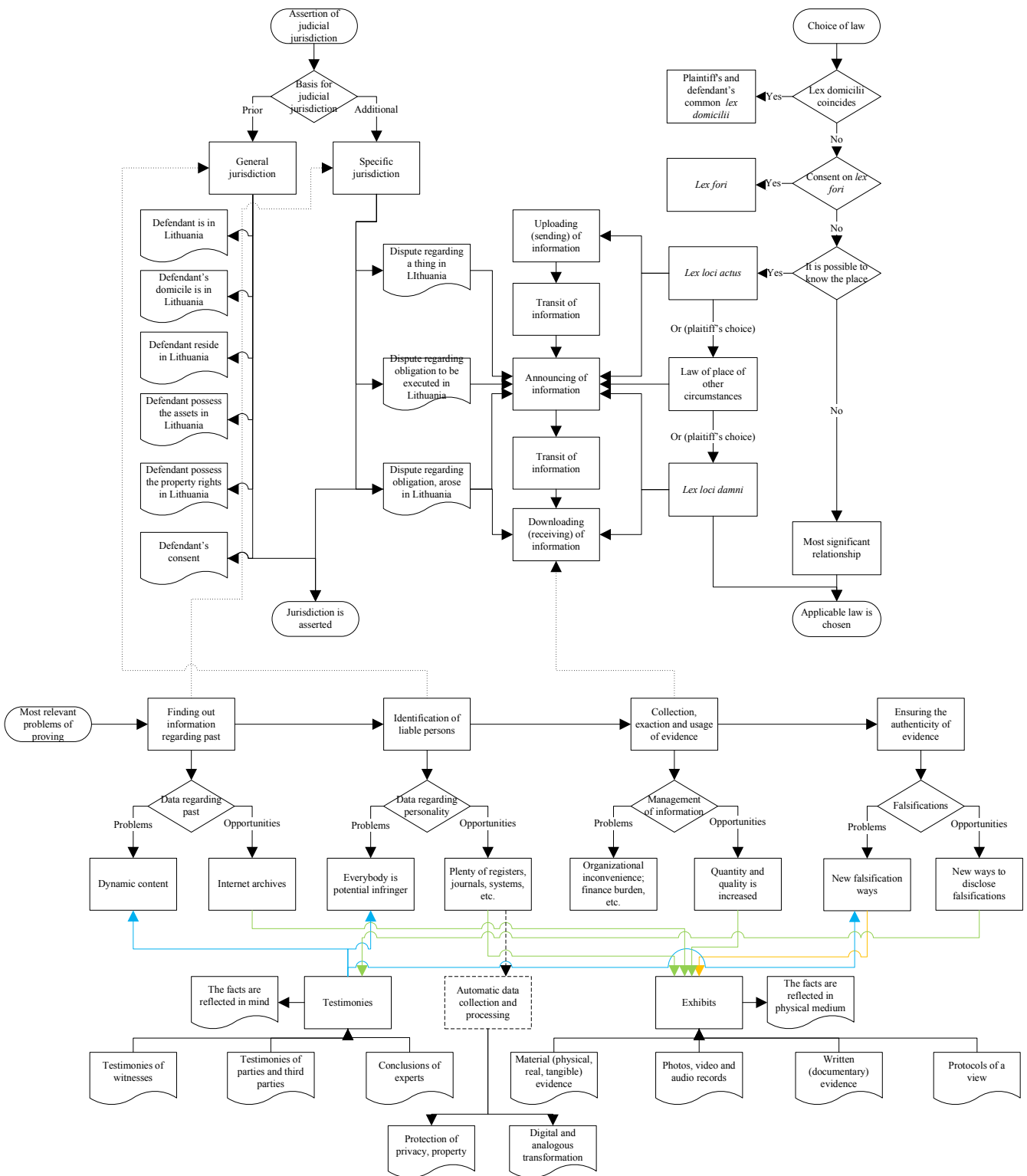
II. Applicable Law



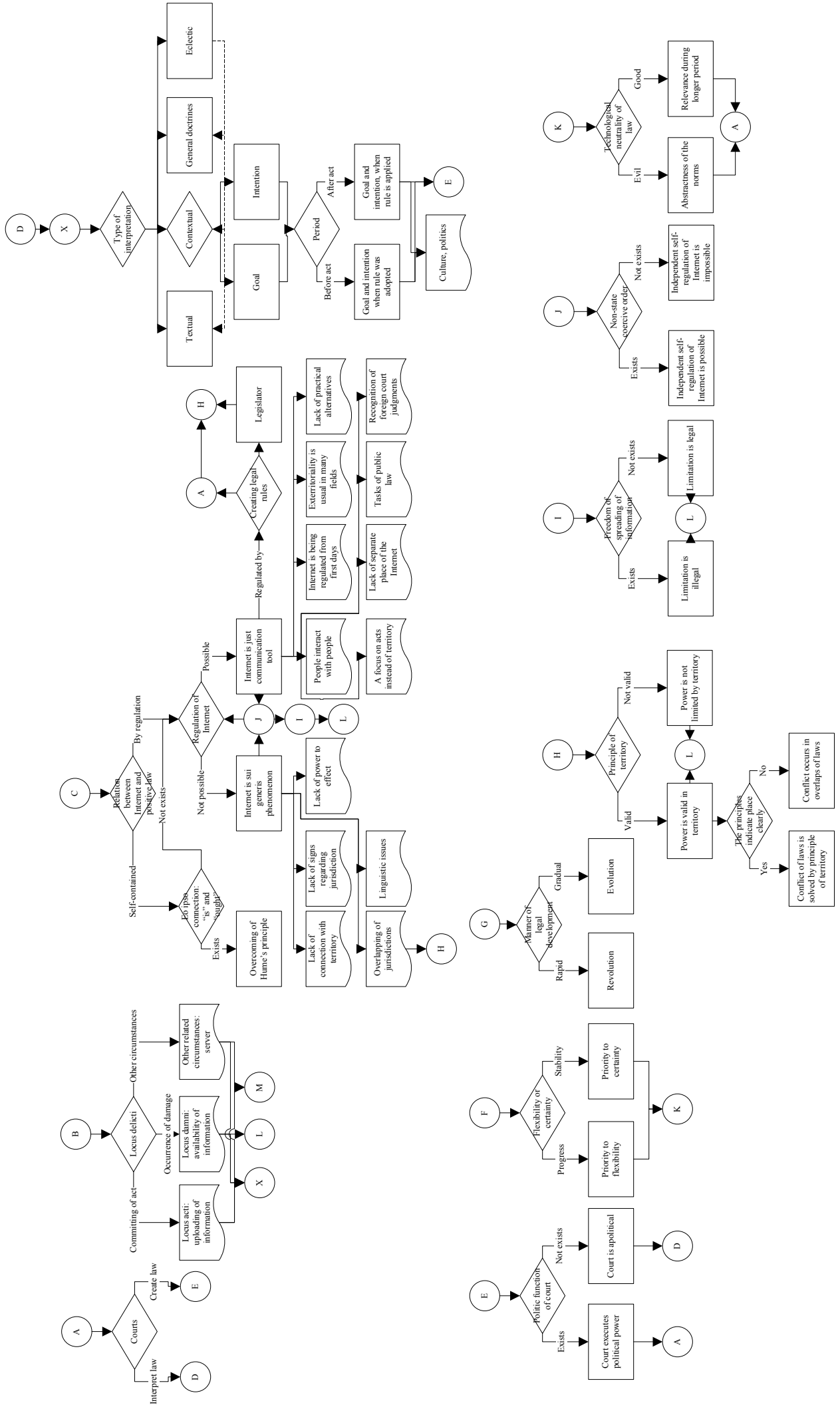
III. Evidence and Burden of Proof



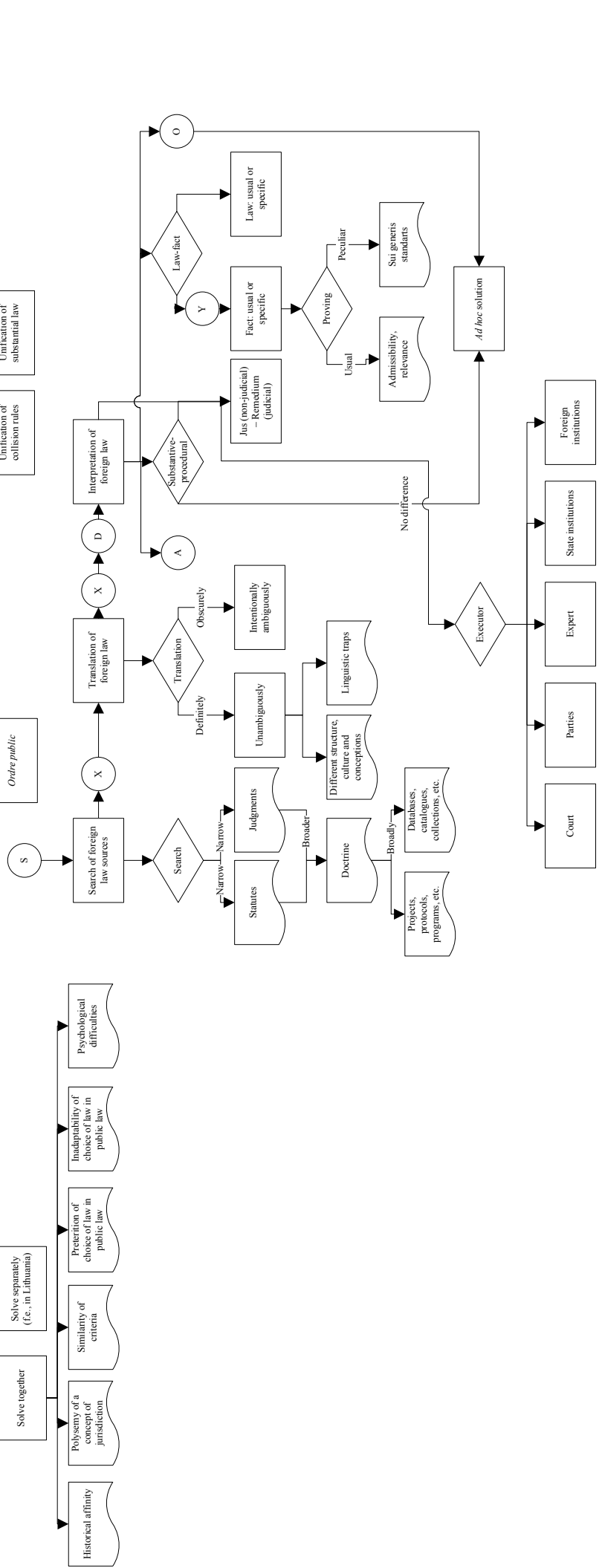
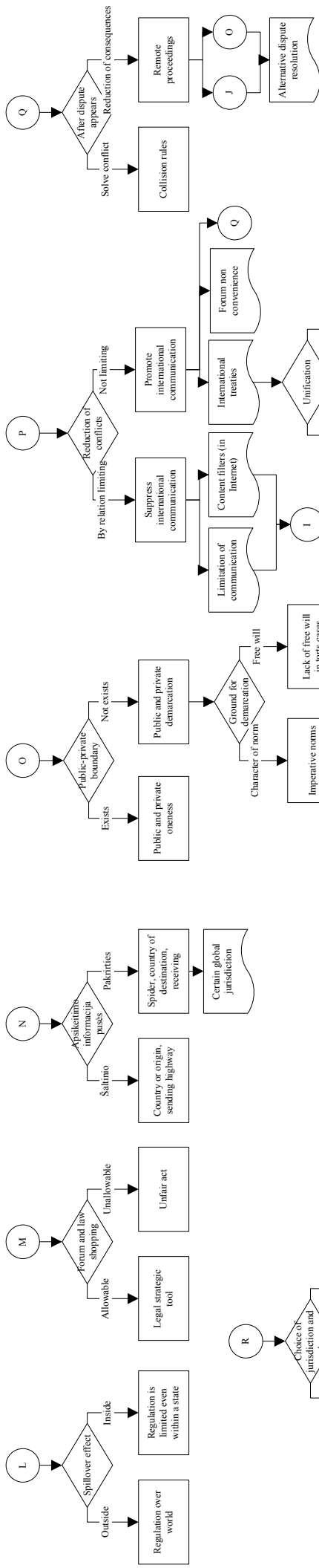
IV. Judicial Jurisdiction, Applicable Law and Burden of Proof in the Relevant Cases



V. A-K



VI. L-S



VII. T-Y

